

CIRCUIT

POSITION 1

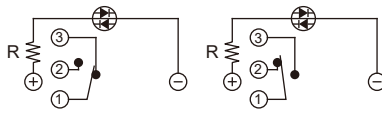


POSITION 2

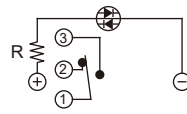


Without LED (1 Pole)

POSITION 1

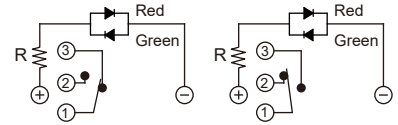


POSITION 2

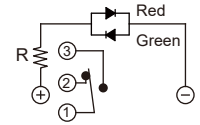


Single Color Led (1 Pole)

POSITION 1

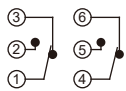


POSITION 2

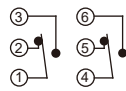


Dual Color Led (1 Pole)

POSITION 1

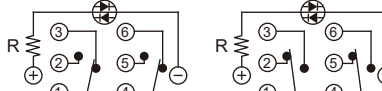


POSITION 2

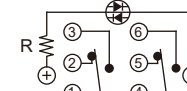


Without LED (2 Poles)

POSITION 1

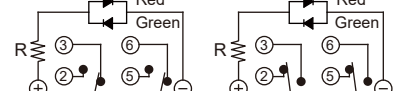


POSITION 2

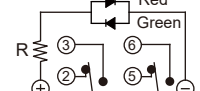


Single Color Led (2 Poles)

POSITION 1



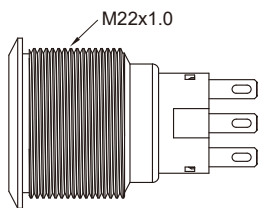
POSITION 2



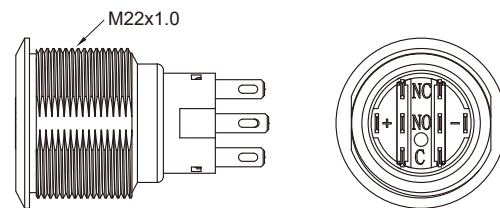
Dual Color Led (2 Poles)

BODY TYPE

A0/C3 Body

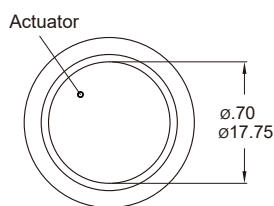


D0 Body (Flat)

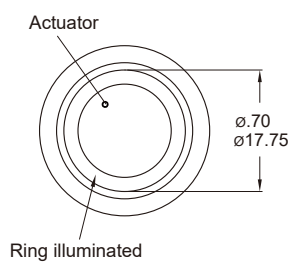


LIGHT TYPE

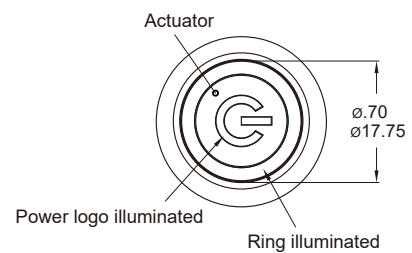
0 Without LED



E Ring (Moveable)



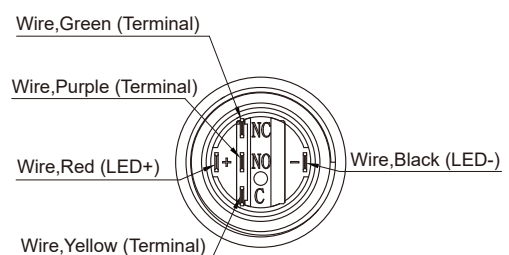
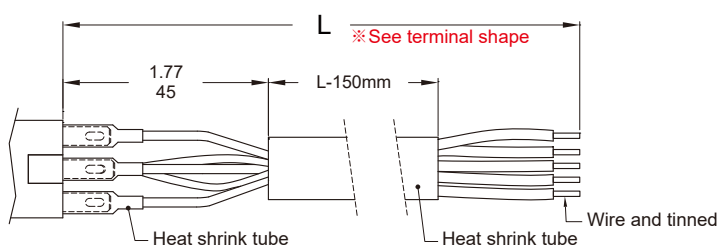
E3 Ring+Power logo

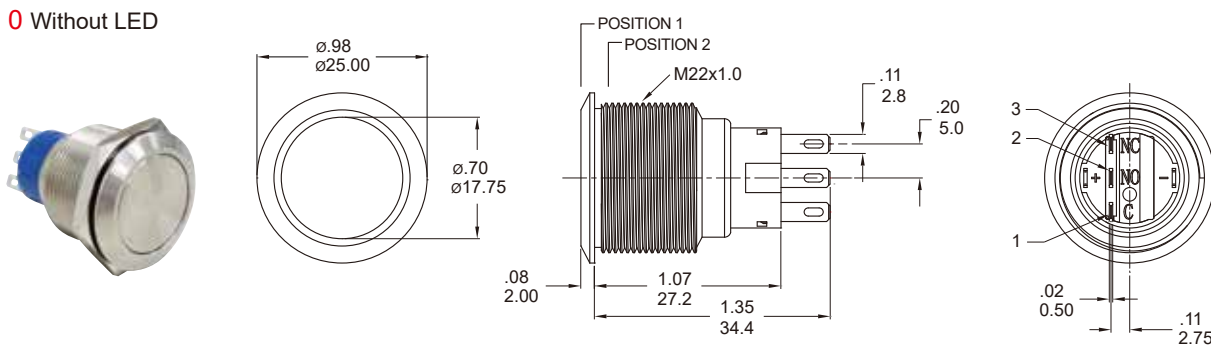


* Only for D0 body.

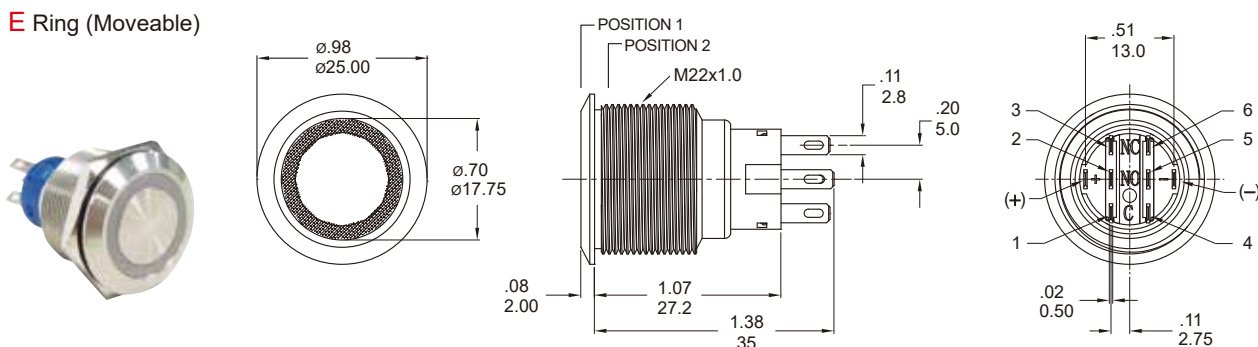
Wire (Flying lead Terminals)

※Wire=UL 3385,18AWG,300V(Black/Yellow/Green/Red/Purple)

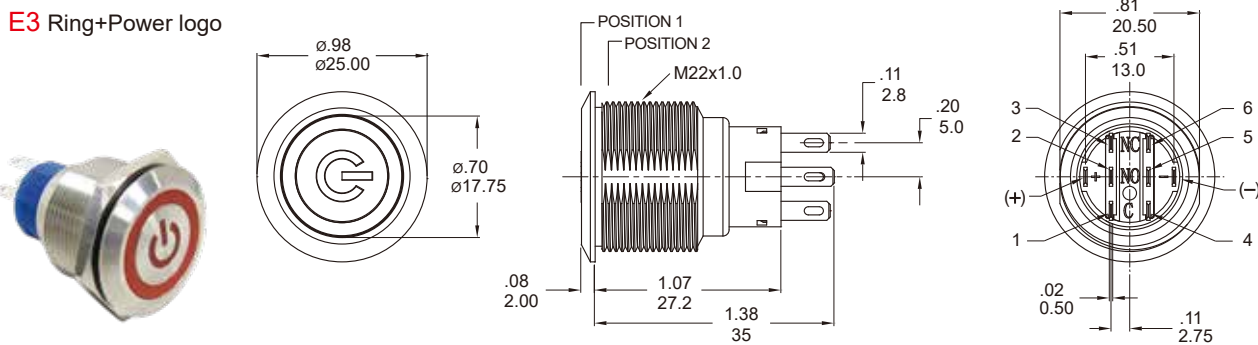


LIGHT TYPE
0 Without LED


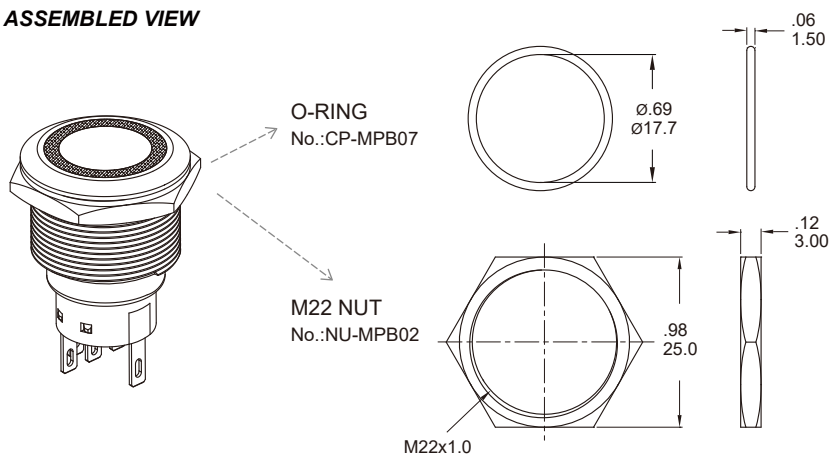
Part No. Shown : MPB22-A0F1□0-JQ

E Ring (Moveable)


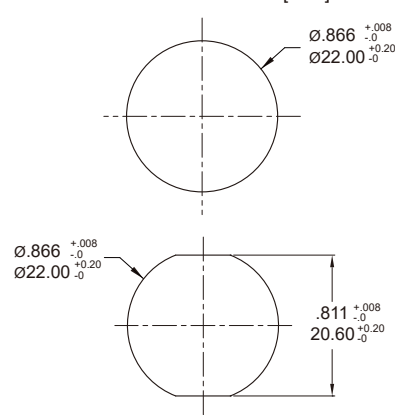
Part No. Shown : MPB22-A0F2□E-□□-JQ

E3 Ring+Power logo


Part No. Shown : MPB22-D0F2□E3-□□-JQ

ASSEMBLED VIEW

PANEL MOUNTING

Max. Panel thickness: 10.0mm[.394]


O-RING INSTALLATION

Proposal	In front of the panel	Behind the panel
Installation Diagram		