



#### SPECIFICATIONS

**RATING** : 1th 5A/250VAC resistive load 3A/250VAC  
**CONTACT RESISTANCE** : 50 mΩ max. @ 1A 12VDC (initial value)  
**INSULATION RESISTANCE** : 1,000 MΩ min. at 500VDC  
**DIELECTRIC STRENGTH** : 2,000V RMS @ sea level  
**OPERATION TEMPERATURE** : -20°C to 55°C  
**MECHANICAL LIFE** : Momentary 1,000,000 cycles  
 Self-lock 500,000 cycles  
**ELECTRICAL LIFE** : 50,000 make-and-break cycles at full load  
**TORQUE** : 5~14Nm  
**PANEL THICKNESS** : 10mm (Ø25.20mm)  
**OPERATION PRESSURE** : 1Pole 2.5±1N / 2Poles 3.5±1N  
**TRAVEL** : About 3.2mm  
**INGRESS PROTECTION** : IP67, IK08(Stainless)

#### MATERIALS

**BUSHING** : Stainless Steel / Aluminum alloy  
**BASE** : PBT(UL 94-V0) , PC(UL 94-V2)  
**ACTUATOR** : PC; Stainless Steel / Aluminum alloy  
**INNER ASSEMBLY** : POM / PA66.  
**SPRING** : Spring steel.  
**SEALING** : Silicone.  
**O-Ring** : Silicone.  
**TERMINAL** : Brass,with silver or gold plated.  
**CONTACT** : Brass,Coin silver,with silver or gold plated  
**HEX NUT** : Nickel plated brass

### HOW TO ORDER

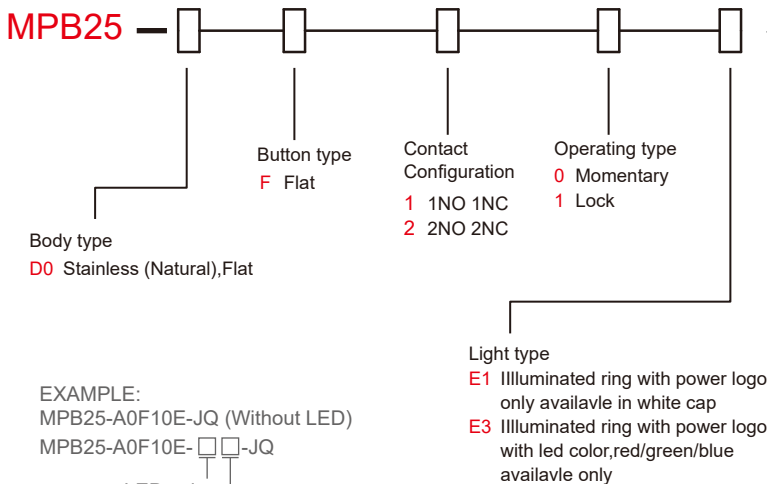
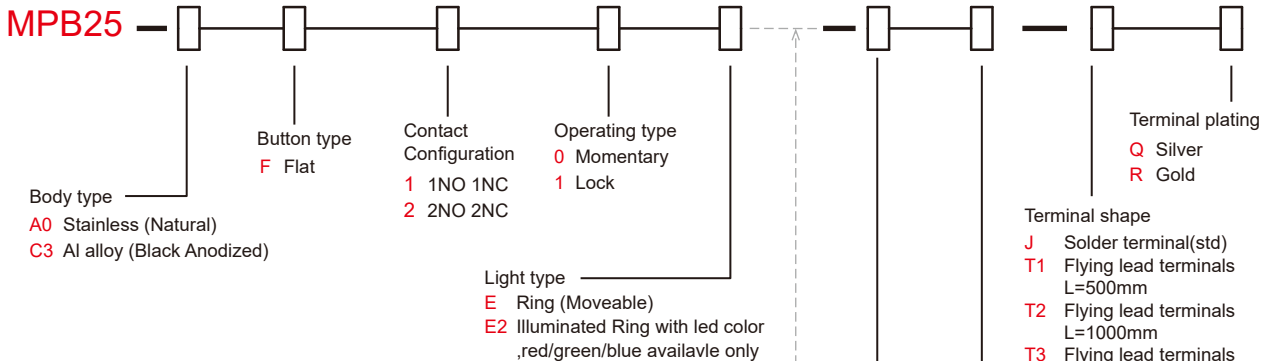
IP 67  
 ACCORDING TO  
 EN 60529:1991+A1:2001  
 IEC 60529:2001

UL US  
 E 187490

RoHS  
 compliant

Pb  
 lead-free

MODEL NO. BODY TYPE BUTTON TYPE CONTACT CONFIGURATION OPERATING TYPE LIGHT TYPE LED COLOR LED VOLTAGE TERMINAL SHAPE TERMINAL PLATING



EXAMPLE:  
 MPB25-A0F10E-JQ (Without LED)  
 MPB25-A0F10E-[ ]-[ ]-JQ  
 LED color      LED voltage

LED Color	
ITEM NO	COLOR
0	Without LED
1	White
3	Red
5	Yellow
6	Green
7	Blue
<b>DUAL COLOR LED</b>	
A	Red&Green
B	Red&Blue
D	Blue&Yellow
G	Red&Yellow
H	Green&Yellow
J	Orange&Green

LED Voltage (20mA)	
ITEM NO	VOLTAGE
0	Without Resistor
3	3V
6	6V
12	12V
24	24V
36	36V
110	110V
220	220V

**CIRCUIT**

POSITION 1



Without LED (1 Pole)

POSITION 2



POSITION 1



Single Color Led (1 Pole)

POSITION 2



POSITION 1

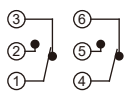


Dual Color Led (1 Pole)

POSITION 2

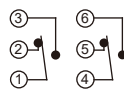


POSITION 1



Without LED (2 Poles)

POSITION 2



POSITION 1



Single Color Led (2 Poles)

POSITION 2



POSITION 1



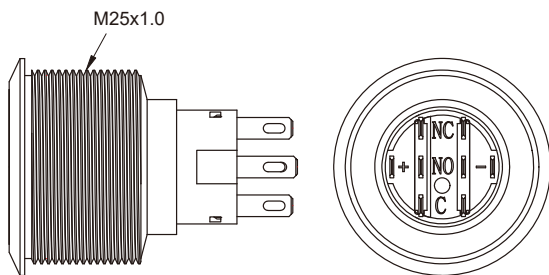
Dual Color Led (2 Poles)

POSITION 2

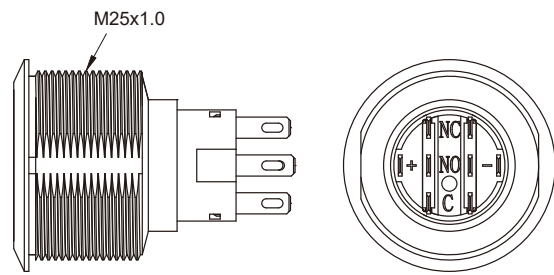


**BODY TYPE**

**A0/C3** Body

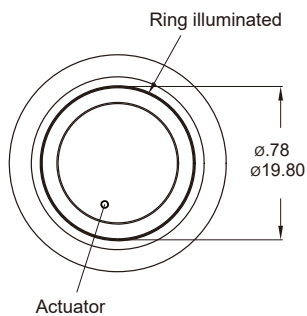


**D0** Body (Flat)

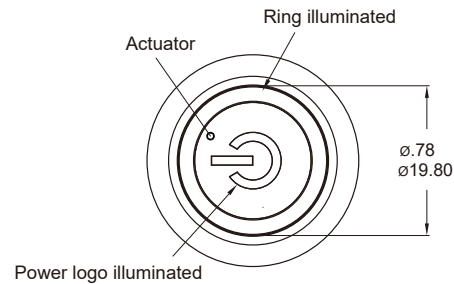


**LIGHT TYPE**

**E** Ring (Moveable)



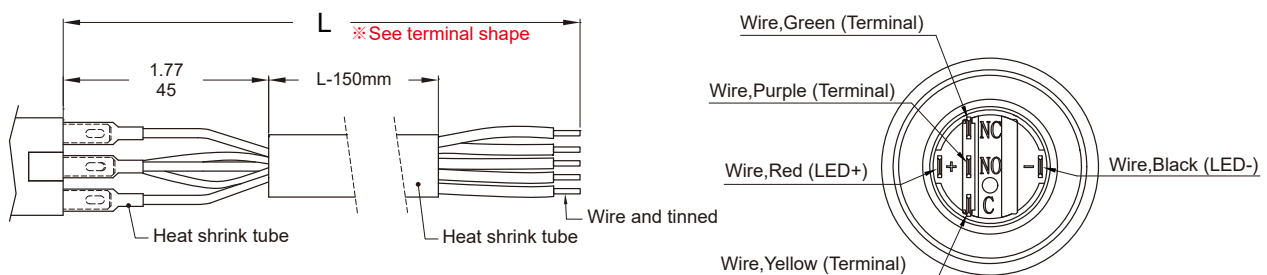
**E3** Ring+Power logo

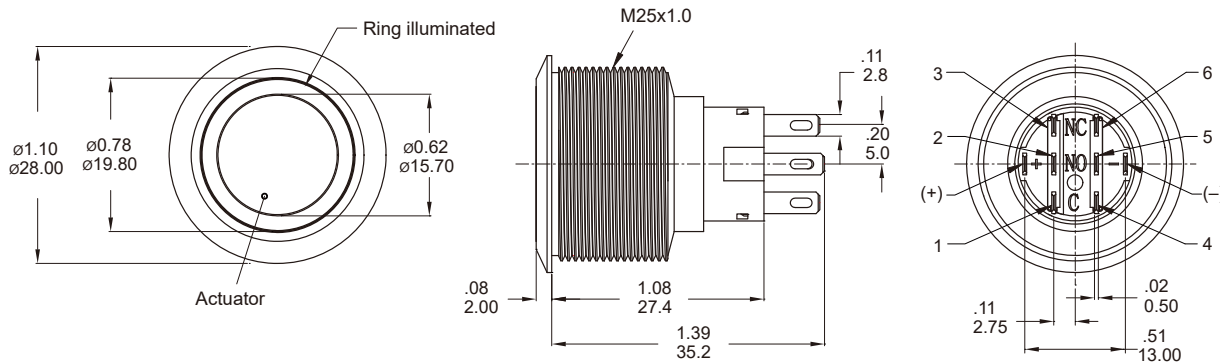


\* Only for D0 body type.

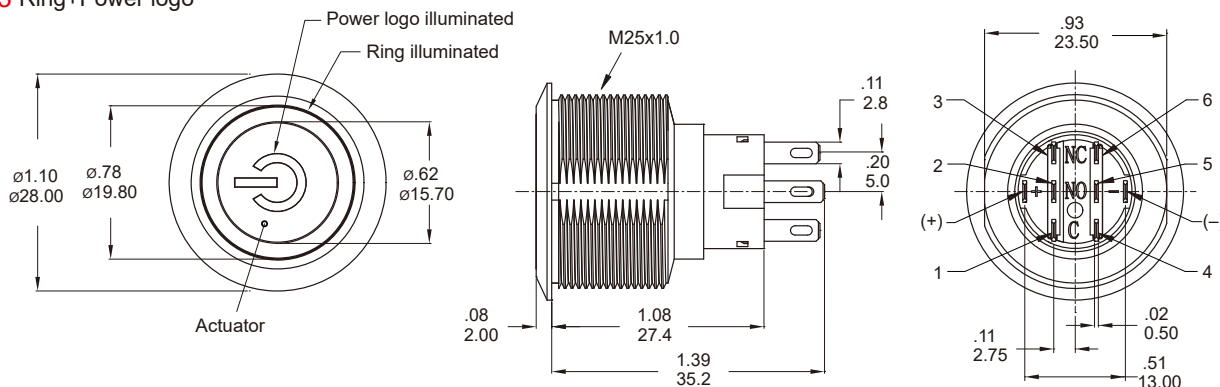
**Wire** (Flying lead Terminals)

※ Wire=UL 3385, 18AWG, 300V(Black/Yellow/Green/Red/Purple)

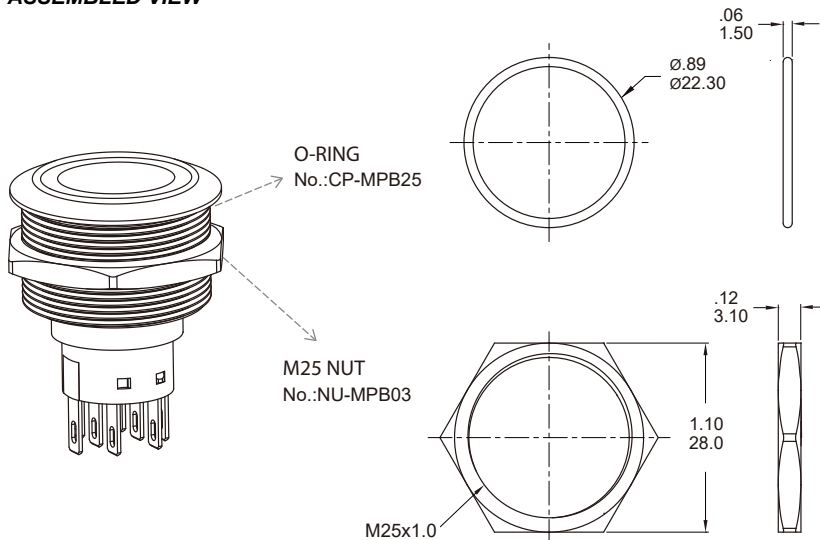


**LIGHT TYPE**
**E Ring (Moveable)**


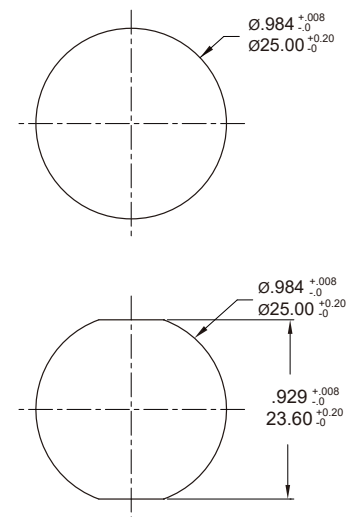
Part No. Shown : MPB25-A0F2□E-□□-JQ

**E3 Ring+Power logo**


Part No. Shown : MPB25-D0F2□E3-□□-JQ

**ASSEMBLED VIEW**

**PANEL MOUNTING**

Max. Panel thickness: 10.0mm[.39]


**O-RING INSTALLATION**

Proposal	In front of the panel	Behind the panel
Installation Diagram		