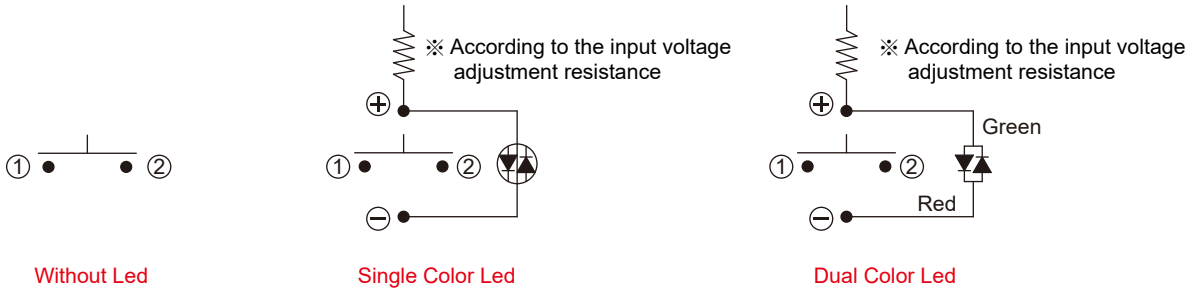
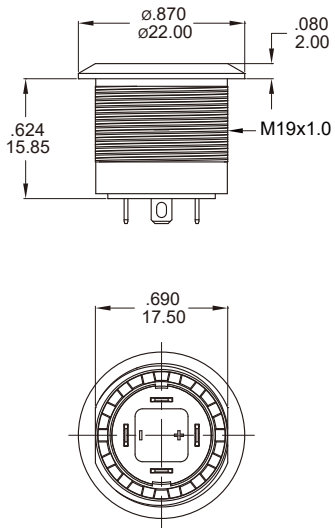


CIRCUIT

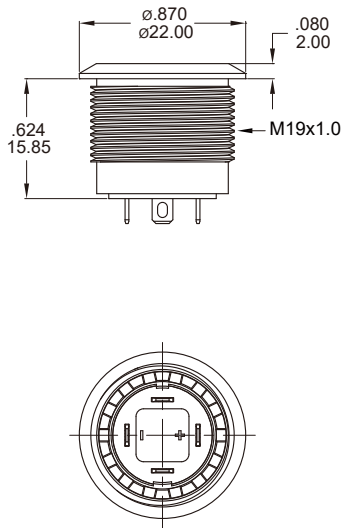


BODY TYPE

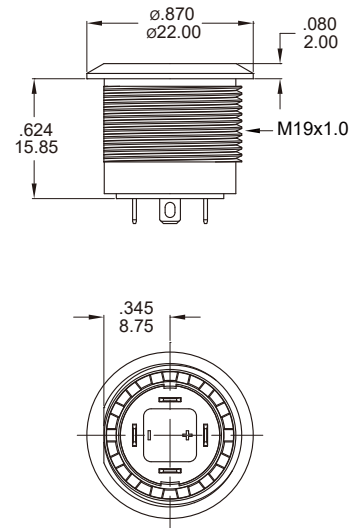
Double flat



Non-flat

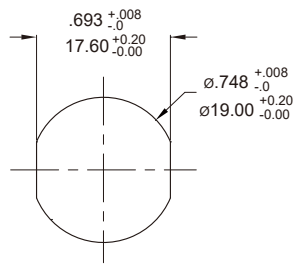


D Shape

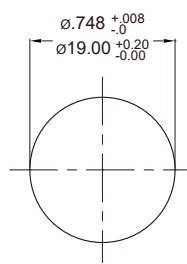


PANEL CUTOUT

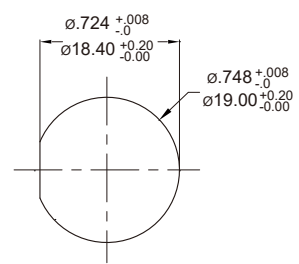
Thickness: 6.0mm(Max.)



Double flat



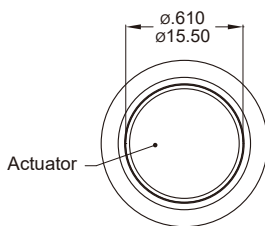
Non-flat



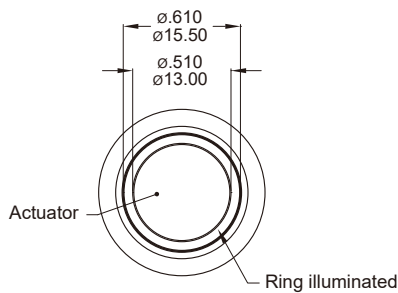
D Shape

LIGHT TYPE

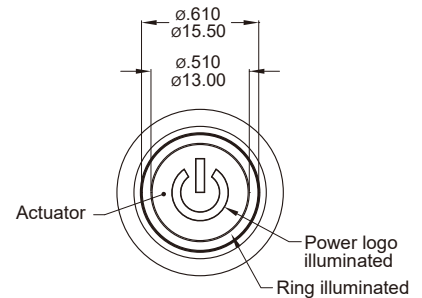
N Without LED

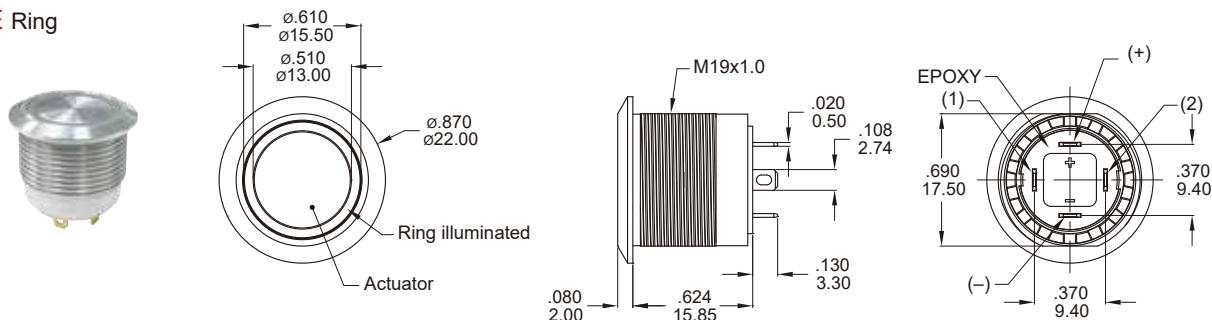


E Ring

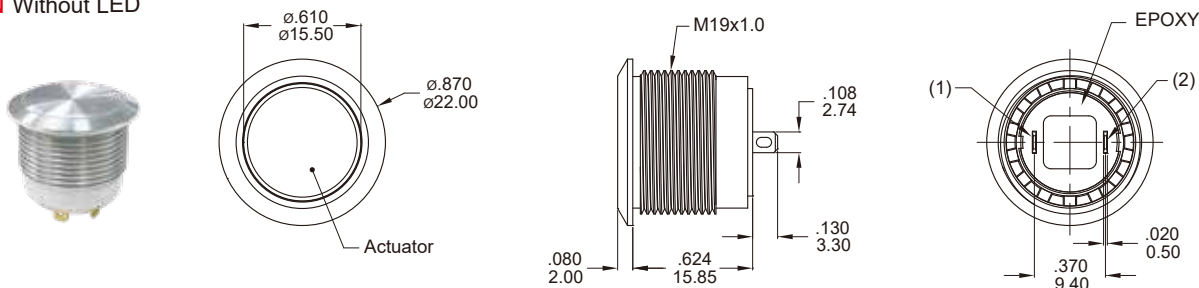


P Power+Ring

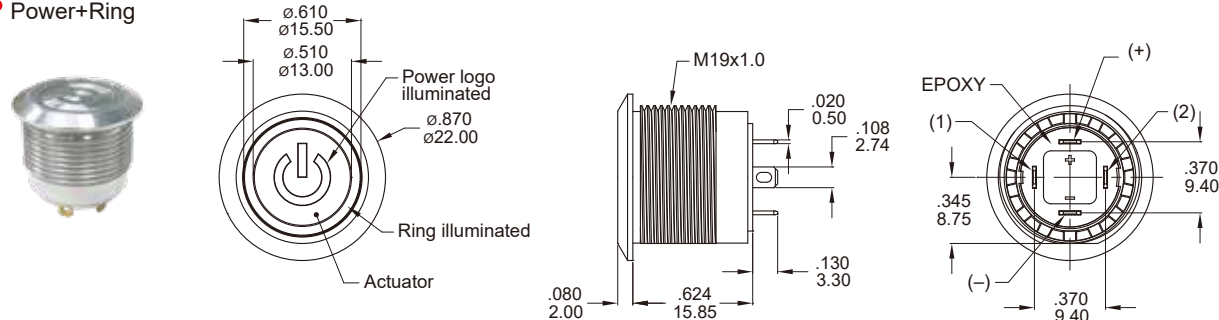


LIGHT TYPE
E Ring


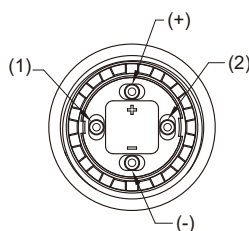
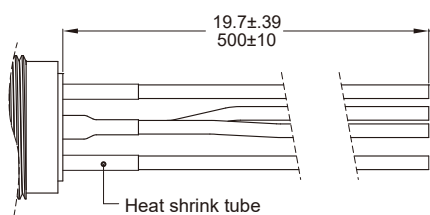
Part No. Shown : MPS19-A01FE-□-JR-□V

N Without LED


Part No. Shown : MPS19-A02FN-0-JR-0V

P Power+Ring


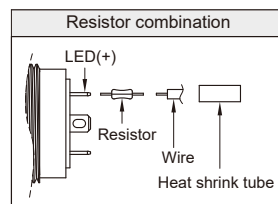
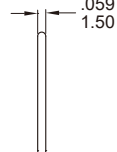
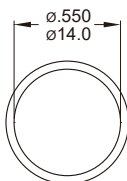
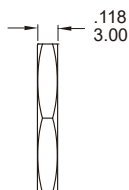
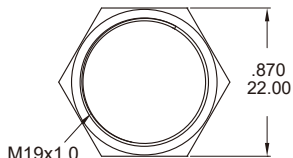
Part No. Shown : MPS19-A03FP-□-JR-□V

L0001 ※ Wire=Multi-wire lead AWG20, section 0.6mm², UL approved

Non-LED

Description	Wire color
Terminal 1	Black
Terminal 2	Black

With LED

Description	Wire color
Terminal 1	Black
Terminal 2	Black
LED+	Red
LED-	Green


ADDITIONAL
O-RING
No.:CP-PY02

M19 NUT
No.:NU-MPB01

O-RING INSTALLATION
