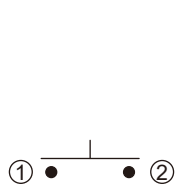
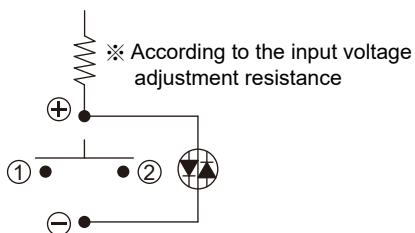


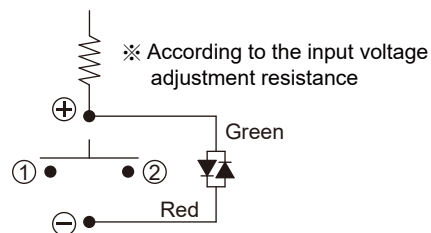
CIRCUIT



Without Led



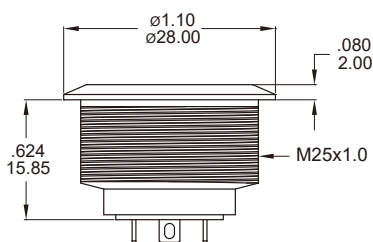
Single Color Led



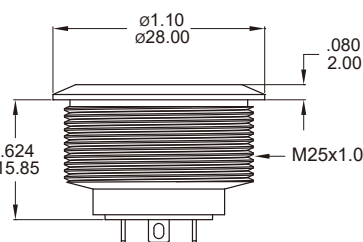
Dual Color Led

BODY TYPE

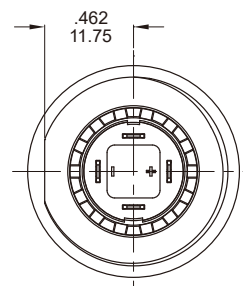
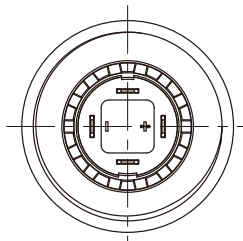
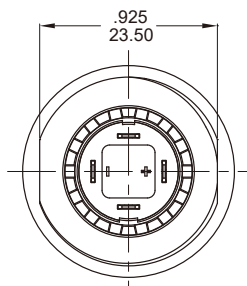
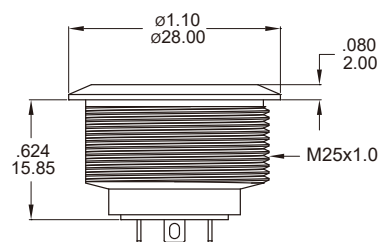
Double flat



Non-flat

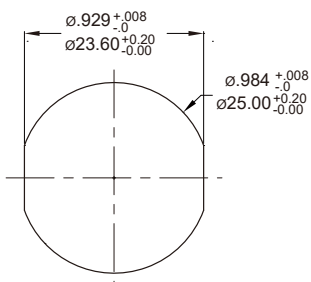


D Shape

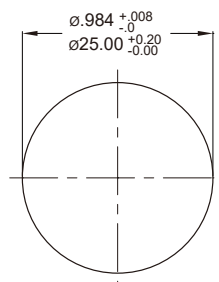


PANEL CUTOUT

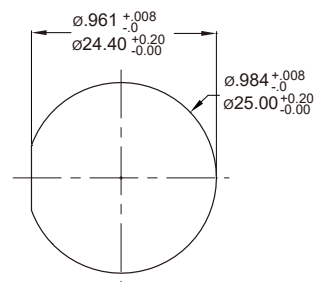
Thickness: 6.0mm(Max.)



Double flat



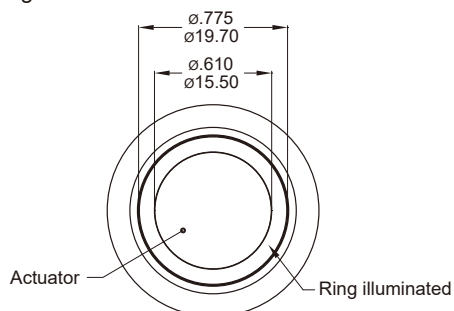
Non-flat



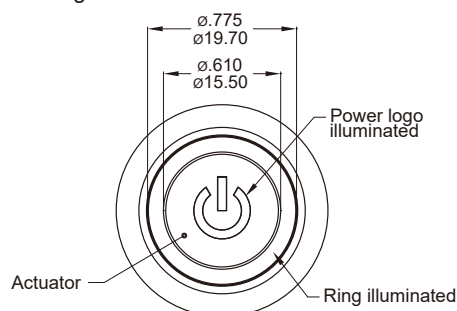
D Shape

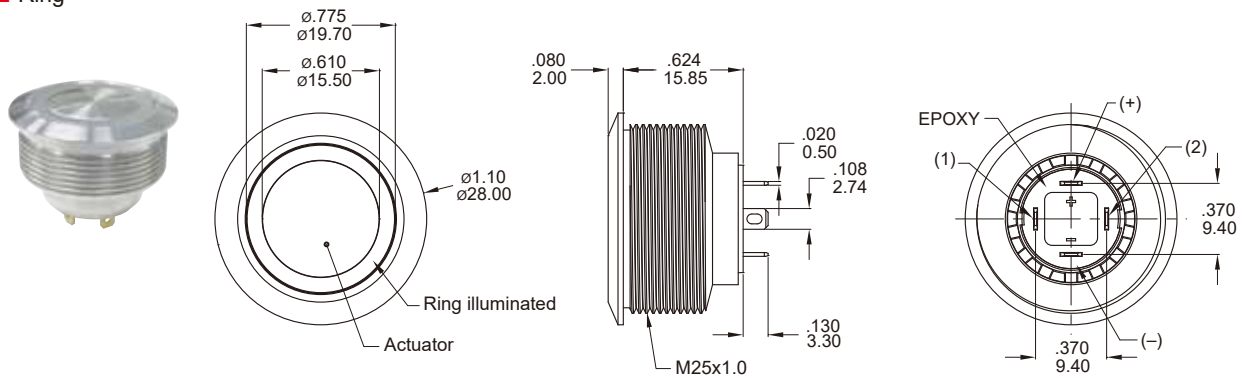
LIGHT TYPE

E Ring

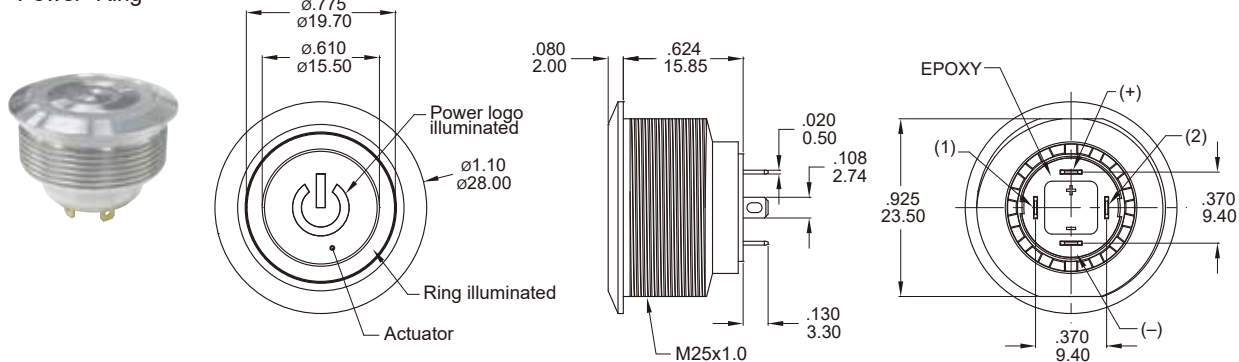


P Power+Ring

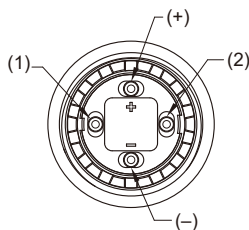
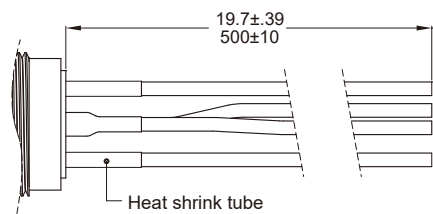


LIGHT TYPE
E Ring


Part No. Shown : MPS25-A02FE-□-JR-□V

P Power+Ring


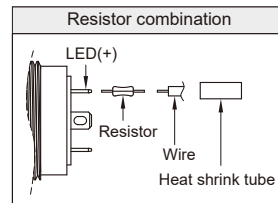
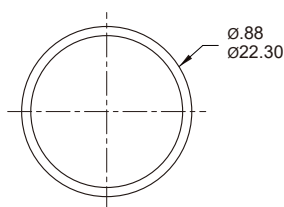
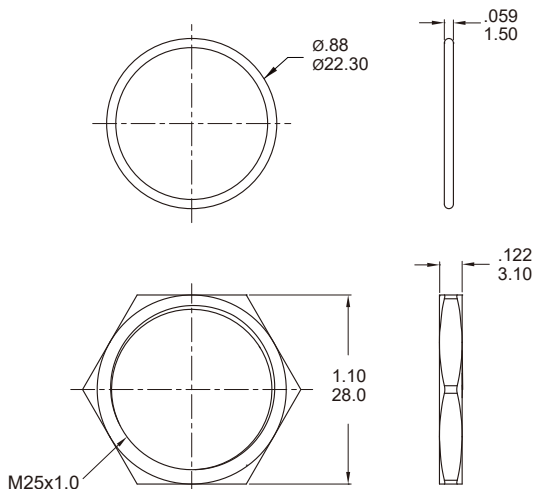
Part No. Shown : MPS25-A01FP-□-JR-□V

L0001 ※ Wire=Multi-wire lead AWG20, section 0.6mm², UL approved

Non-LED

Description	Wire color
Terminal 1	Black
Terminal 2	Black

With LED

Description	Wire color
Terminal 1	Black
Terminal 2	Black
LED+	Red
LED-	Green


ADDITIONAL
O-RING
No.:CP-MPB25

M25 NUT
No.:NU-MPB03

O-RING INSTALLATION
