



Push Button Switch With LED LS Series



Feature

- LED illumination
- Two color available

Applications

- Computer Product
- Office appliance
- Communication Equipments

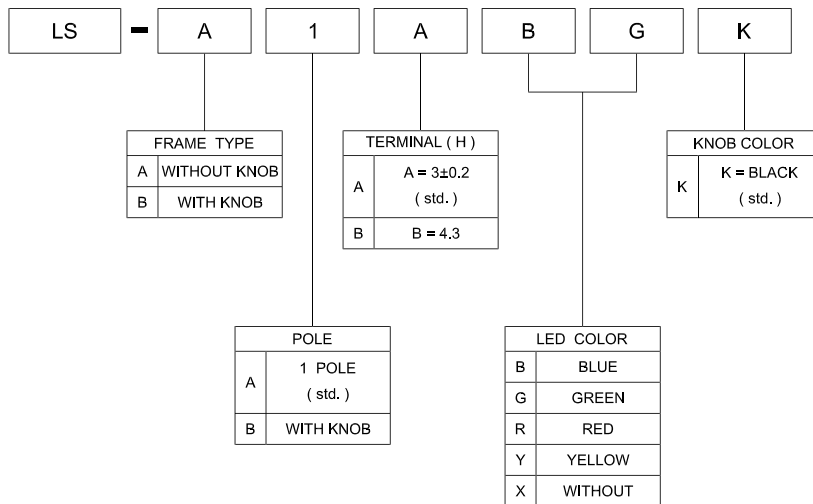
Specifications

SWITCH SPECIFICATIONS	
POLE - POSITION	Momentary Type , LOCK Type with LED
CONTACT RATING	36 V DC , 0.2 A
CONTACT RESISTANCE	40 mΩ max . 1.5 V DC ; 100 mA , by Method of Voltage DROP
INSULATION RESISTANCE	100 MΩ min . 500 V DC
DIELECTRIC STRENGTH	Breakdown is not Allowable ; 500 V AC for 1 Minute
OPERATING FORCE	200 ± 100 gf
OPERATING LIFE	10,000 cycles
OPERATING TEMPERATURE RANGE	-20°C ~ 70°C
TOTAL TRAVEL	FULL TRAVEL - 2.2 ± 0.3 mm CONTACT TRAVEL - 1.6 ± 0.3 mm

LED SPECIFICATIONS		Unit	Value / LED Color			
			Blue	Green	Red	Yellow
ATTENTION LEDs are Electrostatic Sensitive devices						
FORWARD CURRENT	If	mA	30	30	40	30
REVERSE VOLTAGE	Vr	V	5.0	5.0	5.0	5.0
REVERSE CURRENT	Ir	μA	50	10	10	10
FORWARD VOLTAGE@20mA	Vf	V	3.5-4.0	1.7-2.8	1.5-2.4	1.7-2.8
LUMINOUS INTENSITY@20mA	Iv	mcd	350-700	60-100	75-120	45-75

Physical and electrical information of LED will be provided upon customer's request on switches.

How To Order

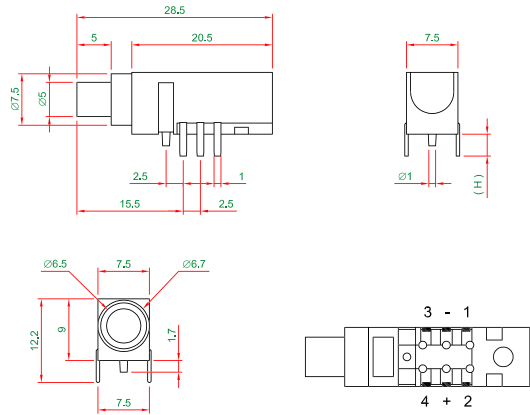




Dimension



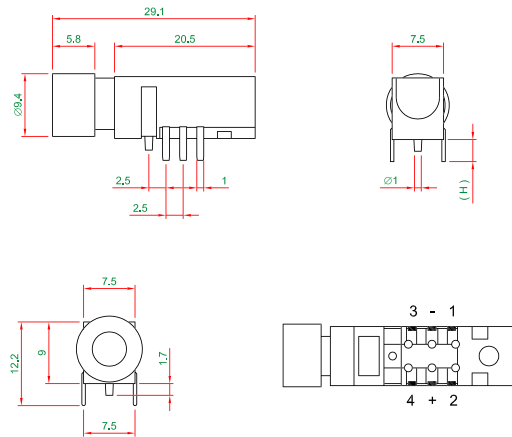
LS - A1A □ □



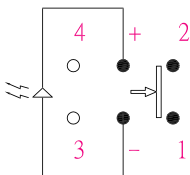
Dimension



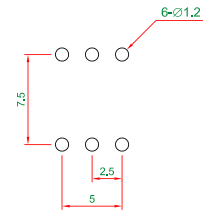
LS - B1A □ □ K



Schematic



P.C.B Layout



Material

- COVER - PA + GF
- ACTUATOR - PA + GF
- BASE FRAME - PA + GF
- TERMINAL - BRASS SILVER PLATING , GOLD PLATED

Unit Weight

- LS - A1A □ □ : 1.7 ± 0.05 g / pcs
- LS - B1A □ □ K : 2.0 ± 0.05 g / pcs