

Feature


- LED illumination
- Two color available
- 2 Pole, 4 Pole
- Lock/Non-lock available

Applications

- Instrumentations
- Computer Product
- Communication Equipments

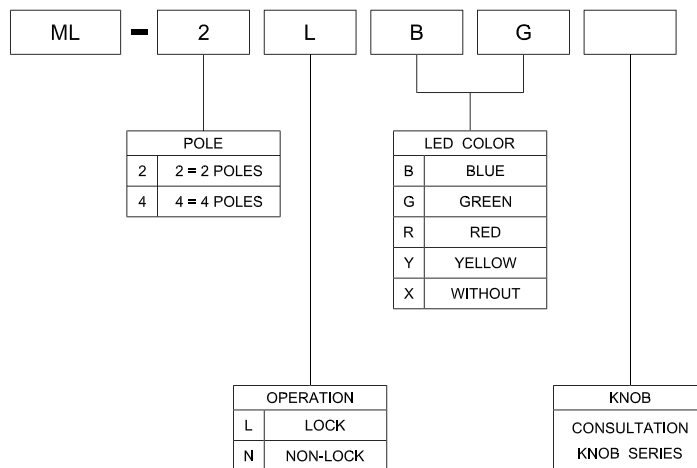
Specifications

SWITCH SPECIFICATIONS	
POLE - POSITION	2P2T , 4P2T LOCK / NON-LOCK Action with LED
CONTACT RATING	30 V DC , 0.3 A
CONTACT RESISTANCE	20 mΩ max . 1.5 V DC ; 100 mA , by Method of Voltage DROP
INSULATION RESISTANCE	100 MΩ min . 500 V DC
DIELECTRIC STRENGTH	Breakdown is not Allowable ; 500 V AC for 1 Minute
OPERATING FORCE	200 ± 100 gf
OPERATING LIFE	10,000 cycles
OPERATING TEMPERATURE RANGE	-20°C ~ 70°C
TOTAL TRAVEL	LOCK TRAVEL - 2.5 ± 0.3 mm FULL TRAVEL - 3.3 ± 0.3 mm

LED SPECIFICATIONS		Unit	Value / LED Color			
			Blue	Green	Red	Yellow
 ATTENTION LEDs are Electrostatic Sensitive devices	(+) ○ — (⊕) — (⊖) — ○ (-)					
	FORWARD CURRENT	If	mA	30	30	15
REVERSE VOLTAGE	Vr	V	5.0	5.0	5.0	5.0
REVERSE CURRENT	Ir	μA	50	10	10	10
FORWARD VOLTAGE@20mA	Vf	V	3.5-4.0	1.7-2.6	1.7-2.6	1.7-2.6
LUMINOUS INTENSITY@10mA	Iv	mcd	@20mA 350-700	4.7-7.8	1.6-2.6	4.7-7.8

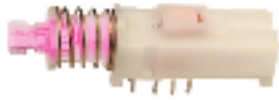
Physical and electrical information of LED will be provided upon customer's request on switches.

How To Order

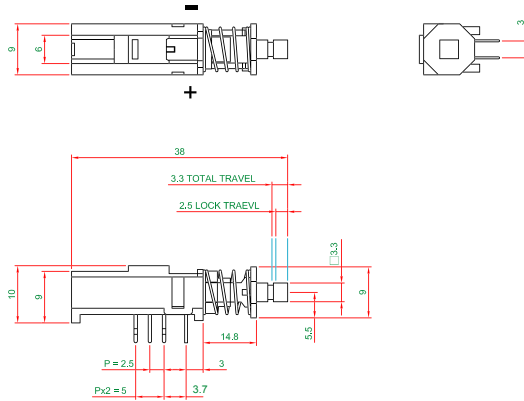




Dimension



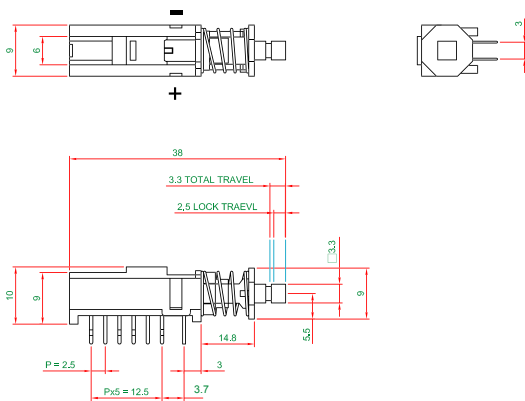
ML - 2N □ □



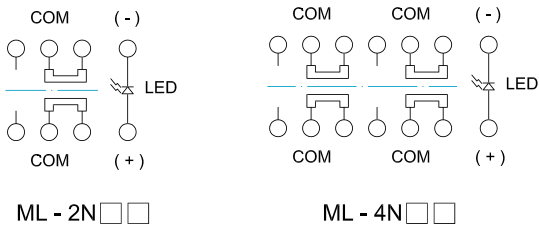
Dimension



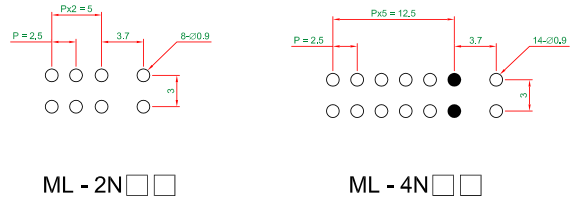
ML - 4N □ □



Circuit



P.C.B Layout



Material

- COVER - POM
- ACTUATOR - POM
- BASE FRAME - PBT + GF
- TERMINAL - BRASS SILVER

Unit Weight

- ML - 2N □ □ : 2.45 ± 0.05 g / pcs
- ML - 4N □ □ : 2.5 ± 0.05 g / pcs