



**Specifications**

**Max. current/Voltage rating with resistive load:**  
400mA 32VAC-100mA 50VDC-125mA 125VAC.

**INITIAL CONTACT RESISTANCE:** 50mΩ max.

**INSULATION RESISTANCE:** 1GΩ min.at 500VDC.

**DIELECTRIC STRENGTH:** 1,000 VAC rms.

**ELECTRICAL LIFE AT FULL LOAD:** 500,000 cycles.

**PANEL THICKNESS:**  
-B1 series : 0.8 mm (.031) min. -1.8 mm (.071) max.  
-B2 series : 1.5 mm (.059) min. -4 mm (.157) max.

**TOTAL TRAVEL:** 1.5 mm(.59)

**OPERATING FORCE:** 2N~5N.

**CONTACT BOUNCE:** 10 ms.

**MECHANICAL LIFE:** 1,000,000 cycles.

**TORQUE:** 1.5 Nm max.applied to nut.

**SOLDERING:** 300° C max.for 3 seconds.

**How To Order**

MODEL NO.	BUSHING	TERMINATIONS	CONTACT MATERIAL	SEAL	ROHS SOLDERING	CAP
<input type="text"/>	<input type="text"/>	<input type="text"/>	<input type="text"/>	<input type="text"/>	<input type="text"/>	<input type="text"/>
<b>MODEL NO.</b> <b>PAS6</b>	<b>BUSHING</b> <b>B1</b> Snap-in <b>B2</b> Threaded bushing	<b>TERMINATIONS</b> <b>M1</b> Solder lug	<b>CONTACT MATERIAL</b> <b>C</b> Gold overSilver	<b>SEAL</b> <b>E</b> EPOXY (std)	<b>ROHS SOLDERING</b> <input type="checkbox"/> Rohs Compliant <input type="checkbox"/> Rohs & Lead Free	<b>Cap color</b> 1 White 2 Black 3 Red 4 Orange 5 Yellow 6 Green 7 Blue 8 Brown 9 Grey

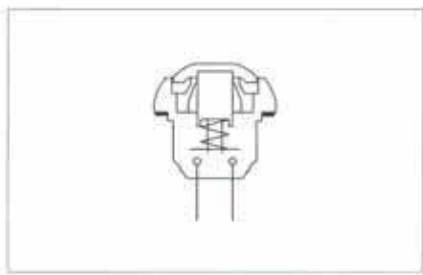


Switch Function

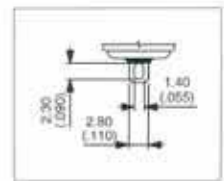
NO. POLES	MODEL NO.	SWITCH FUNCTION		CONNECTED TERMINALS		SCHEMATIC
		POS.1	POS.2	POS.1	POS.2	
SP	PAS6	OFF	MOM	OPEN	SHORT	

MOM=MOMENTARY

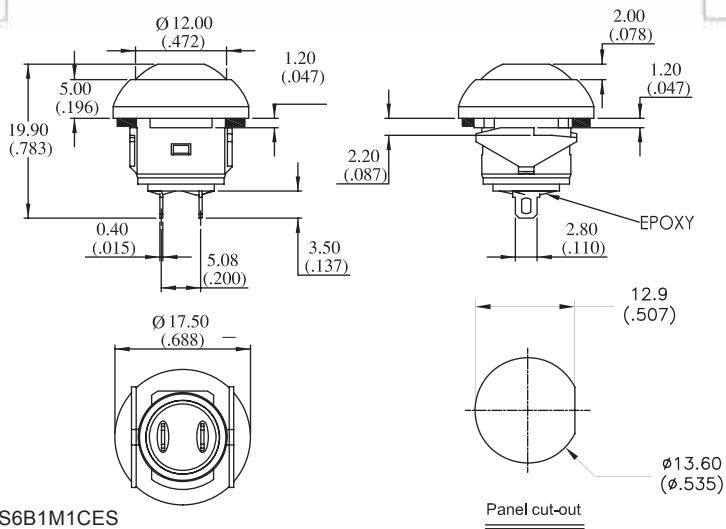
Pole Options



- Eight plunger colours
- Flat plunger top allowing marking
- Antirotation bushing
- New solder lug terminal



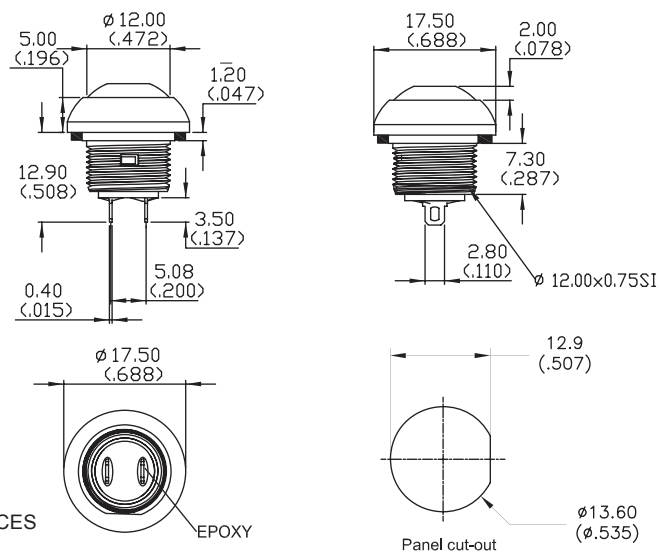
Snap-in mounting



SPDT

Part No. Shown : PAS6B1M1CES

Mounting by threaded bushing



SPDT

Part No. Shown : PAS6B2M1CES



### SOLDERING PROCESSES

**MANUAL SOLDERING** : Use soldering iron of 30 watts, controlled at  $300\pm 5^{\circ}\text{C}$  approximately  $3\pm 1$  seconds while applying solder.

**WAVE SOLDERING** : Recommended Soldering Temperature:  $260\pm 5^{\circ}\text{C}$   
Duration of Solder Immersion:  $5 \pm 1$  seconds  
(PCB is 1.6mm in thickness)

**SOLDERING** : Vapor phase

### Temperature Profile

Zone	Room temperature	Time ( Sec )
Pre-heat ( A )	$150^{\circ}\text{C}$	Min 120s
Soak ( B )	$180^{\circ}\text{C}\sim 200^{\circ}\text{C}$	Min 150s
Peak ( C )	$200^{\circ}\text{C}\sim 235^{\circ}\text{C}$	Min 30s
Peak ( D )	$235^{\circ}\text{C}\sim 260^{\circ}\text{C}$	Min 40s
Peak ( E )	$260^{\circ}\text{C}$	Max 10s

