



Rocker Switch R5 HIGH CURRENT Series



SPECIFICATION

Electrical Rating : 25A 250VAC/125VAC(UL/cUL)
 25A 250VAC(TUV)
 25A 250VAC(CQC)

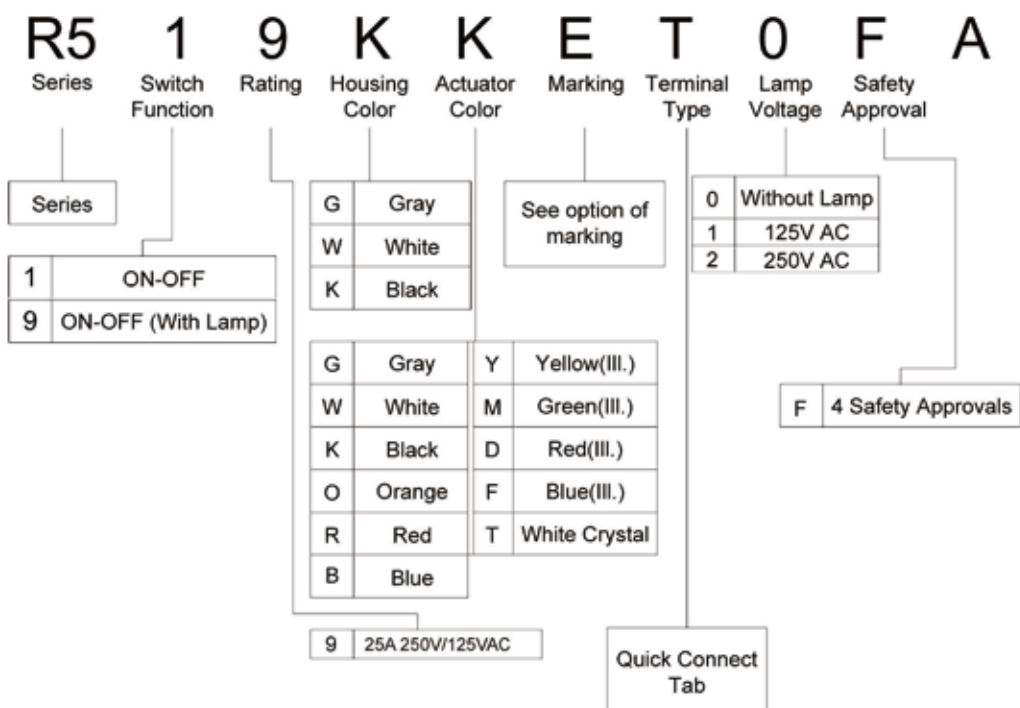
Mechanical life: Over 30000 cycles
 Electrical life: Over 10000 cycles
 Contact resistance: <20mΩ
 Insulation resistance: >1000MΩ
 High voltage resistance: >1500V 1 min.
 Ambient temperature: Terminal side -20 to +105°C
 Actuating side -20 to +55°C

Storage temperature: -30 to +80°C Max
 Atmospheric humidity: Max.85%
 Actuating force: 4~8N(depends on different switch function)
 Flammability: UL94 V-2
 Temperature rise at the terminal: Max 30°C (UL1054)
 Solder ability of terminal: Max 350°C , 3s

MATERIALS

Housing: Nylon 66
 Rocker: PC & PA66
 Contacts: Silver Alloy
 Terminal: Brass Silver Plated
 Lamp: Neon Lamp, Tungsten Lamp
 Spring: SWP, SUS
 Movable Arm: Brass Silver Plated

HOW TO ORDER





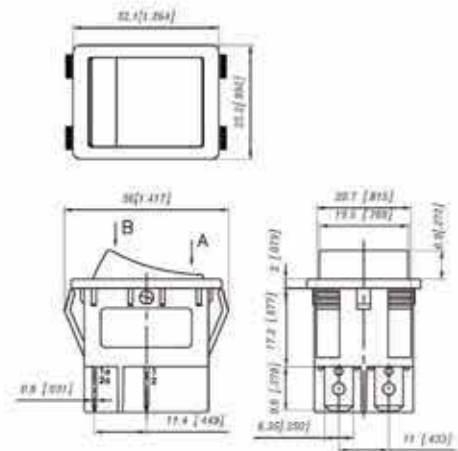
Rocker Switch R5 HIGH CURRENT Series



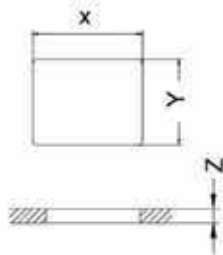
Option of switch function

Item NO	POLES & THROWS	Rocker position		
		Left	Center	Right
R51	DPST	ON	None	OFF
R59	DPST (WITH LAMP)	ON	None	OFF

Dimension



Panel cut out



Z	Y	X
0.70~1.25	22.20~22.30	30.0~30.20
1.25~2.00	22.20~22.30	30.2~30.40
2.00~3.00	22.20~22.30	30.6~30.80

Circuit for switch with Lamp

For circuits of 250V AC or 125V AC

