



Rocker Switch R6 Series



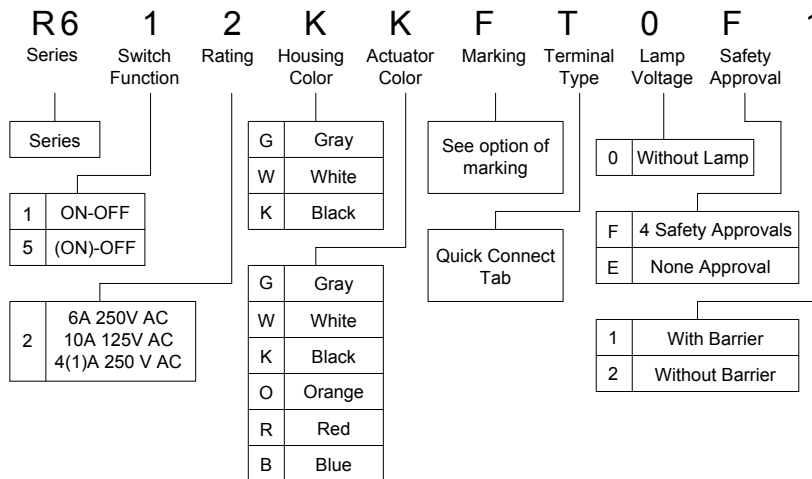
SPECIFICATION

- Electrical Rating : 6A 250VAC/10A 125VAC(UL) 4(1)A 250VAC(VDE)
- Mechanical life: Over 30000 cycles
- Electrical life: Over 10000 cycles
- Contact resistance: <20mΩ
- Insulation resistance: >1000MΩ
- High voltage resistance: >1500V 1 min.
- Ambient temperature: Terminal side -20 to +85°C Actuating side -20 to +55°C
- Storage temperature: -30 ~ +85°C Max
- Atmospheric humidity: Max.85%
- Actuating force: 4N
- Flammability: UL94 V-2
- Temperature rise at the terminal: Max 30°C (UL1054)
- Solder ability of terminal: Max 350°C , 3s

MATERIALS

- Housing: PA 66
- Rocker: PA66
- Contacts: Silver Alloy
- Terminal: Brass Silver Plated
- Movable Arm: Copper Silver Plated

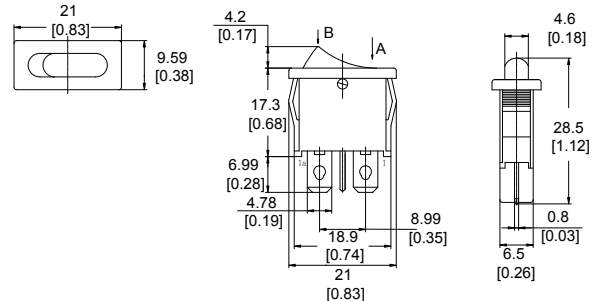
HOW TO ORDER



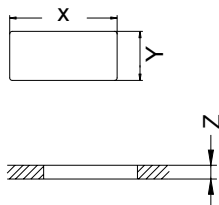
Option of switch function

Item NO	POLES & THROWS	Rocker position ():Momentary		
		Left	Center	Right
R61	SPST	ON	None	OFF
R65	SPST	(ON)	None	OFF

Dimension



Panel cut out



Z	Y	X
0.70~1.25	6.65~6.75	19.20~19.30
1.25~2.00	6.65~6.75	19.25~19.35
2.00~3.00	6.65~6.75	19.30~19.40