



Rocker Switch R9(R19) Series



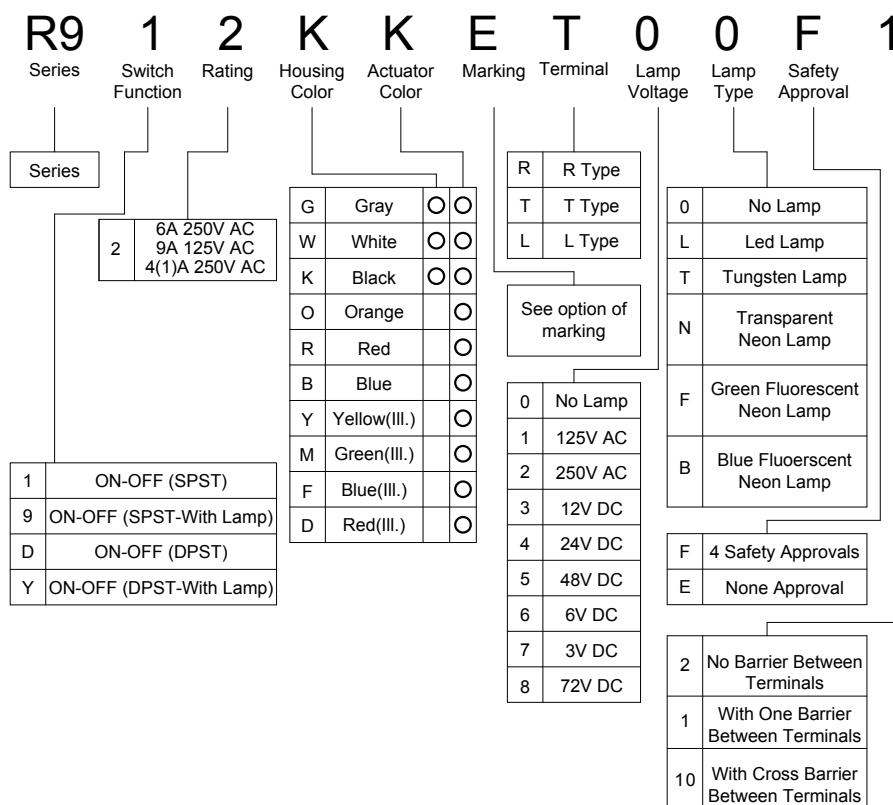
SPECIFICATION

- Electrical Rating : 9A 125VAC 6A 250VAC (UL)
4(1)A 250VAC (VDE)
- Mechanical life: Over 30000 cycles
- Electrical life: Over 10000 cycles
- Contact resistance: <20mΩ
- Insulation resistance: >1000MΩ
- High voltage resistance: >1500VAC 1 min.
- Ambient temperature: Terminal side -20 to +85°C
Actuating side- 20 to +55°C
- Atmospheric humidity: Max.85%
- Actuating force: 4 to 8N(depends on different switch function)
- Flammability: UL94V-2
- Storage temperature: -30 to +80°C Max
- Temperature rise at the terminal: Max 30°C (UL1054)
- Solder ability of terminal: Max 350°C 3s

MATERIALS

- Housing: PA 66
- Rocker: PC & PA66
- Contact: Silver alloy
- Terminal: Brass silver plated
- Lamp: Neon lamp, Tungsten lamp, LED
- Movable arm: Beryllium copper

HOW TO ORDER





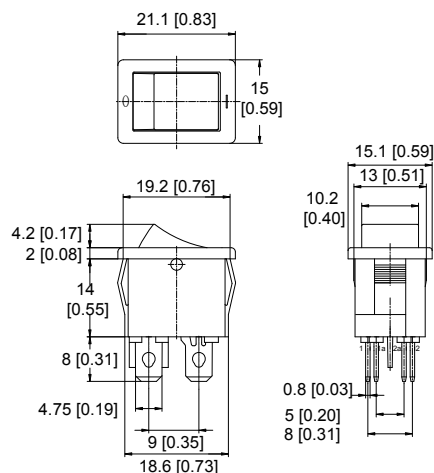
Rocker Switch R9(R19) Series



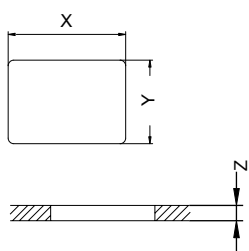
Option of switch function

Item Number:	Poles & Throws	Rocker Position		
R91	SPST	ON	NONE	OFF
R99	SPST (WITH LAMP)	ON	NONE	OFF
R9D	DPST	ON	NONE	OFF
R9Y	DPST (WITH LAMP)	ON	NONE	OFF
R9I	Indicator			
R9B	The block sealed on the panel			

Dimension



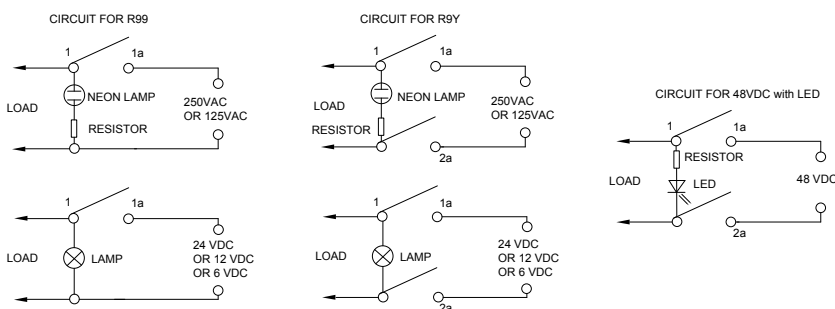
Panel cut out



Z	Y	X
0.7~1.25	12.8~12.9	19.2~19.3
1.25~2.0	12.8~12.9	19.3~19.4
2.0~3.0	12.8~12.9	19.5~19.6

Circuit of switch with Lamp & Led

- For circuit of 250VAC, 125VAC with neon lamp
- For circuit of 24 VDC, 12 VDC, 6 VDC, 3 VDC with lamp
- For circuit of 48 VDC with LED



Terminal type

