



Rocker Switch R918/R9D8 Series



SPECIFICATION

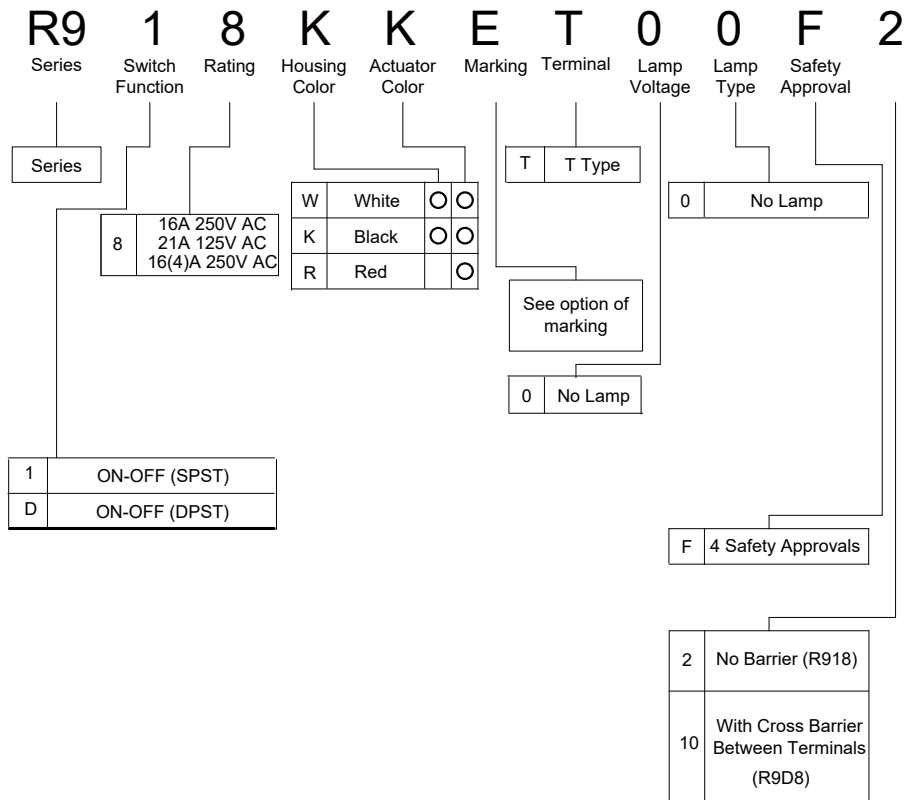


Electrical Rating : 21A 125VAC 16A 250VAC (UL)
 16(4)A 250VAC (VDE)
 Mechanical life: Over 30000 cycles
 Electrical life: Over 10000 cycles
 Contact resistance: <20mΩ
 Insulation resistance: >1000MΩ
 High voltage resistance: >1500VAC 1 min.
 Ambient temperature: Terminal side -20 to +85°C
 Actuating side- 20 to +55°C
 Atmospheric humidity: Max.85%
 Actuating force: 4 to 8N(depends on different switch function)
 Flammability: UL94V-2
 Storage temperature: -30 to +80°C Max
 Temperature rise at the terminal: Max 30°C (UL1054)
 Solder ability of terminal: Max 350°C 3s

MATERIALS

Housing: PA 66
 Rocker: PC & PA66
 Contact: Silver alloy
 Terminal: Brass silver plated
 Lamp: No lamp used
 Movable arm: Beryllium copper

HOW TO ORDER

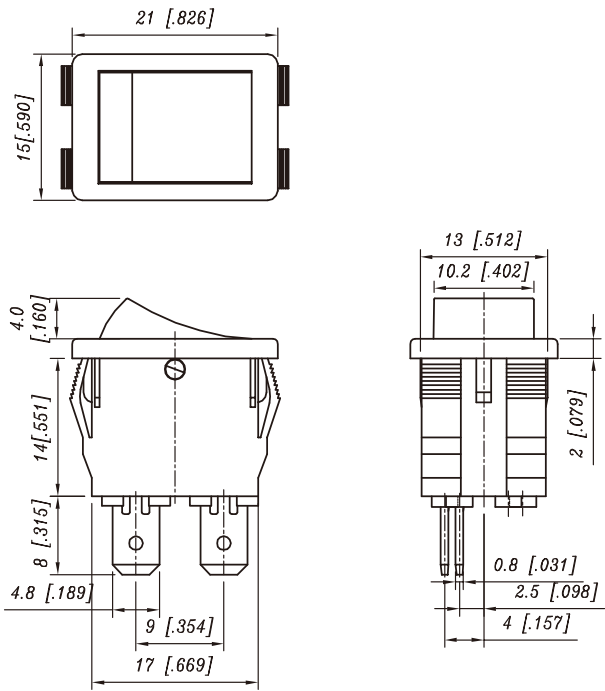




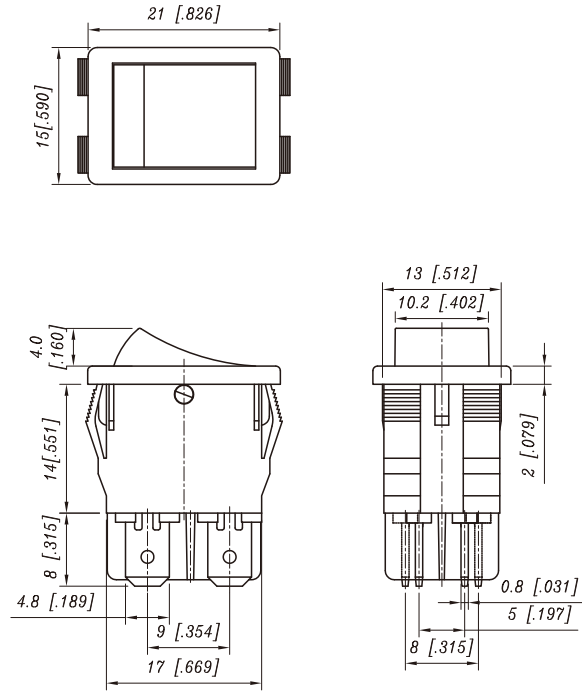
Rocker Switch R918/R9D8 Series



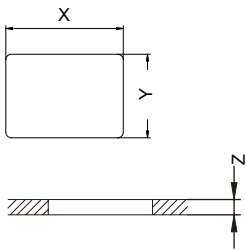
Dimension of R918



Dimension of R9D8



Panel cut out



Z	Y	X
0.7~1.25	12.8~12.9	19.2~19.3
1.25~2.0	12.8~12.9	19.3~19.4
2.0~3.0	12.8~12.9	19.5~19.6