

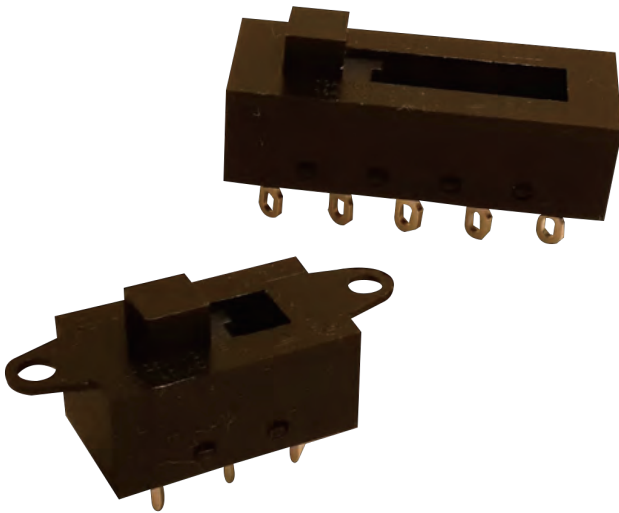


High Current Slide Switch SA Series



SPECIFICATIONS

- Electrical Rating : 16A 125VAC
10A 250VAC
- Mechanical life: Over 30000 cycles
- Electrical life: Over 10000 cycles
- Contact resistance: <20mΩ
- Insulation resistance: >1000MΩ(500VDC between open contacts)
- High voltage resistance: >1500VAC 1 min.
- Ambient temperature: 105°C
- Atmospheric humidity: Max.85%
- Storage temperature: -30 to +80°C Max
- Solder ability of terminal: Max 350°C 3s



MATERIALS

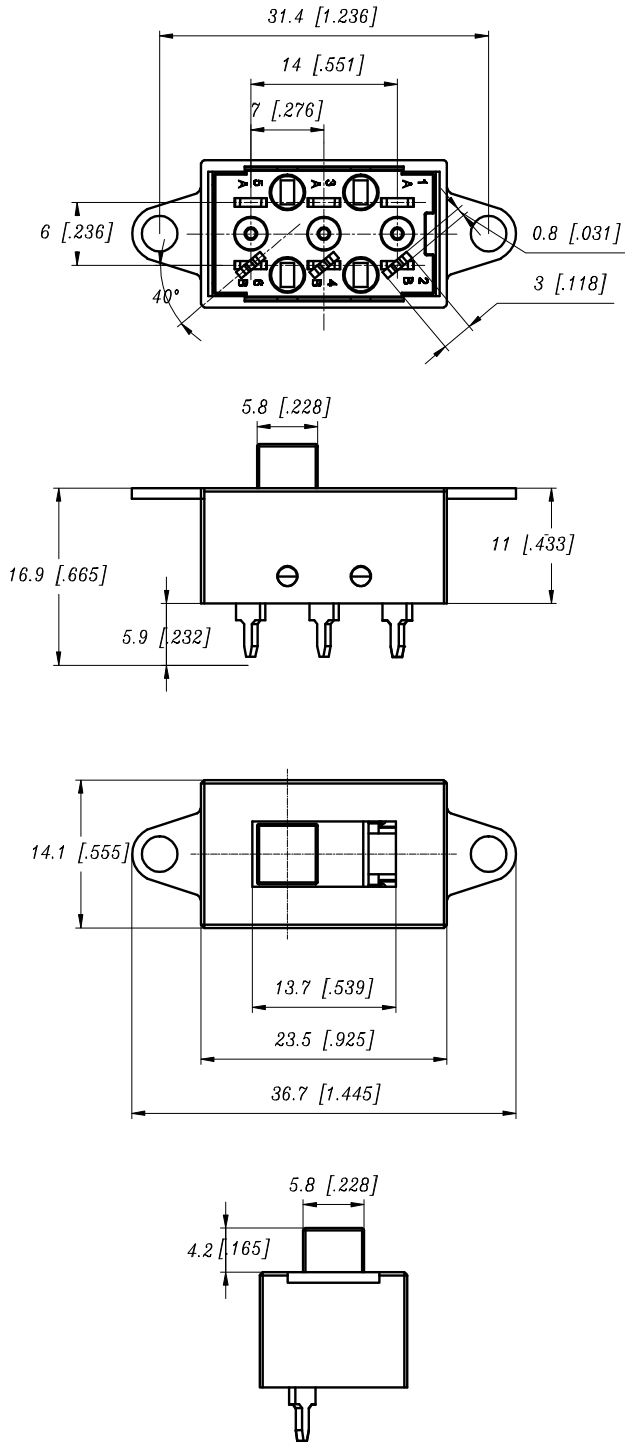
- Housing: PA 66
- Knob : PA66
- Contact: Copper Silver plated
- Terminal: Copper Silver plated
- Spring: SWC

HOW TO ORDER

SA	1	1	5	K	K	E	W	0	C	A
Series	Switch Function	Poles	Rating	Housing Color	Actuator Color	Marking	Terminal	Lamp Voltage	Safety Approval	Era Option
	1 ON-ON 2 ON-ON-ON 3 ON-ON-ON-ON	1 SP 2 DP	5 16A 125V 10A 250V	K BLACK	K BLACK	E BLANK	W Solder Lug P PC pin			A w/Era (For SA1/SA2)



Dimension of SA115KKEP0CA



Dimension of SA225KKEW0C

