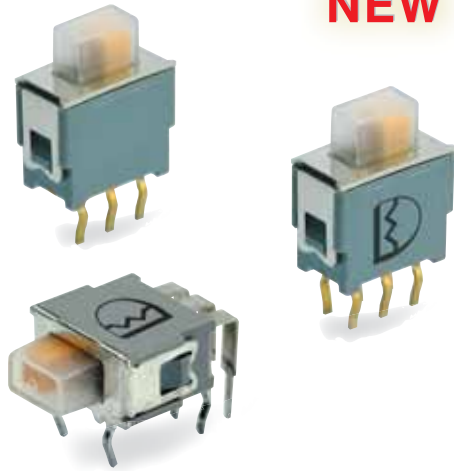




NEW



SPECIFICATION

CONTACT RATING: max. 48V AC or DC, 0.4 VA/max
50 mA min.20mV AC/DC, 1µA
MECHANICAL LIFE: minimum 50,000 operations.
CONTACT RESISTANCE: 50mΩmax. initial @ 2-4VDC, 100mA
INSULATION RESISTANCE: 500mΩ at 250 VDC.
DIELECTRIC STRENGTH: 500V, 50 Hz for the duration of 1 minute.
OPERATING TEMPERATURE: -20°C to 80°C.
DEGREE OF PROTECION: IP67

MATERIALS

ACTUATOR - PBT
HOUSING - SPCC
CASE - PBT, Meets (UL 94 V-0), Washable
SWITCH SUPPORT - Brass,tin plated.
CONTACT/TERMINALS - Phosphor bronze gold plated over nickel barrier.
TERMINAL SEAL - Epoxy
RoHS - 2002/95/EC



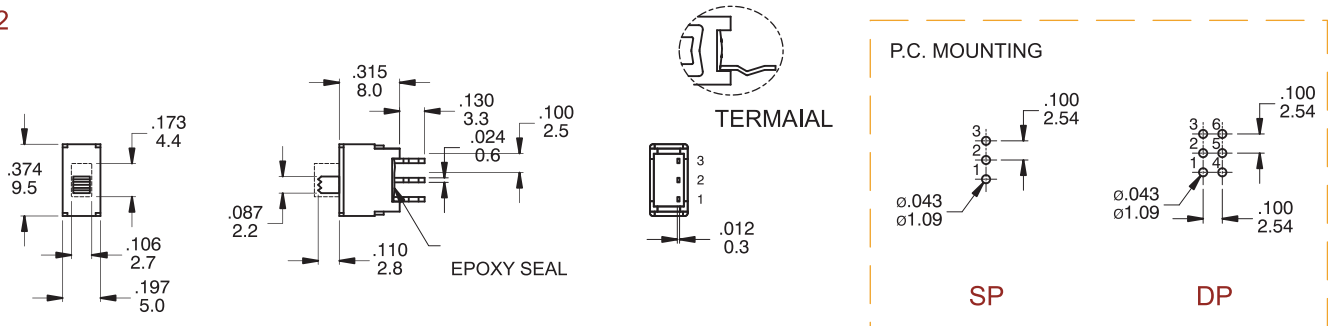
SWITCH FUNCTION

Table with columns: NO. POLES, MODEL NO., SWITCH FUNCTION (POS.1, POS.2, POS.3), and CONNECTED TERMINALS / SCHEMATIC (POS.1, POS.2, POS.3). Rows include SP (5SES1, 5SES3) and DP (5SED1, 5SED3) models.

MOM=MOMENTARY

POLE OPTIONS

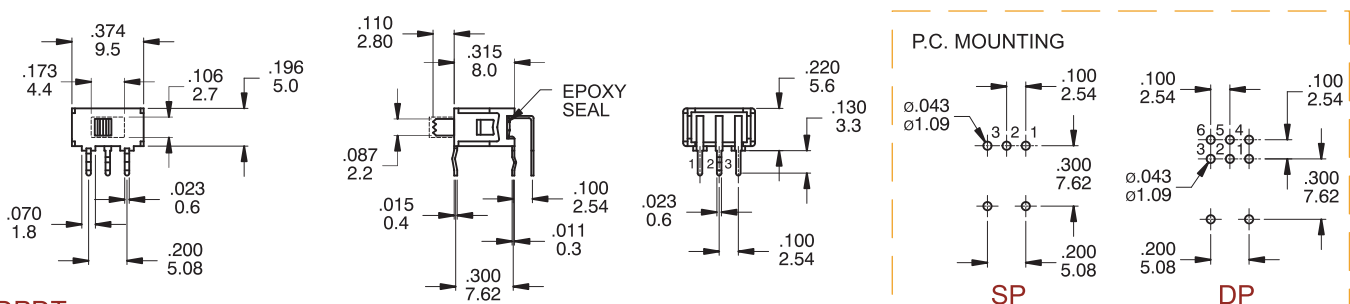
M2



SPDT

Part No. Shown:5SES1-M2RES

M6



DPDT

Part No. Shown:5SED1-M6RES