



4A-BF2

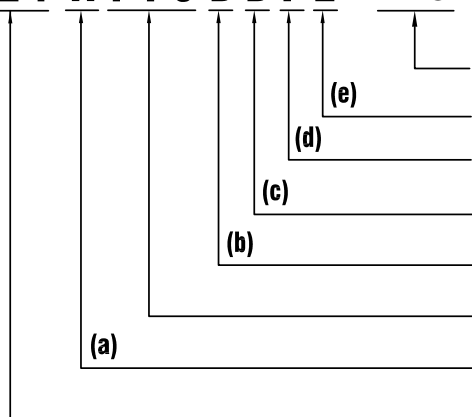
SPECIFICATION

- Electrical Rating : 15A 125V AC (Resistive Load)  
10A 250V AC (Resistive Load)  
16A 250V AC(Resistive Load)
- Operating Temp : 50 ~ 175°C (UL.CUL 205°C)
- Differential : 10~30K (15K Standard)
- Temp. Tolerance : Operating Temp.±3K±5K
- Heat Durability : 220°C Max.(PPS)
- Circuit Resistance : 50mΩ Max.
- Insulation Resistance : 100MΩ Min.at DC 500V
- Dielectric Strength : AC 1000V for One Minute.  
or AC 1800V for One Second.
- Operating Life : 100000 Cycles (15A 125V/10A 250V AC)  
10000 Cycles (16A 250V AC)
- Weight:5.2g max.

HOW TO ORDER

MODEL CODE (FULL CODE)

T24 A110BBF2-15



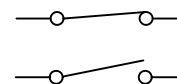
- Differential**
- Terminal Size**-----Please Refer Fig.( e )
- Terminal Orientation**---Please Refer Fig.( d )
- Bracket Type**----- Please Refer Fig.( c )
- Temp. Tolerance**----- Please Refer Fig.( b )
- Operating Temp**
- Contact Type**----- Please Refer Fig.( a )
- Model**

(a) CONTACT TYPE :

A = Contact Opens When Temperature Rises to Set Point (Normally Closed)

B = Contact Closes When Temperature Rises to Set Point (Normally Open)

M = Manual Reset



(b) TEMP. TOLERANCE : (\*=STANDARD)

Grade	A	*B
Action ± °C	3	5
Reset ± °C	4	8

- The Grade of Temp. Tolerance is "A", When The Operating Temp. is Less Than 105°C.
- The Grade of Temp. Tolerance is "B", When The Operating Temp. is Over 106°C.



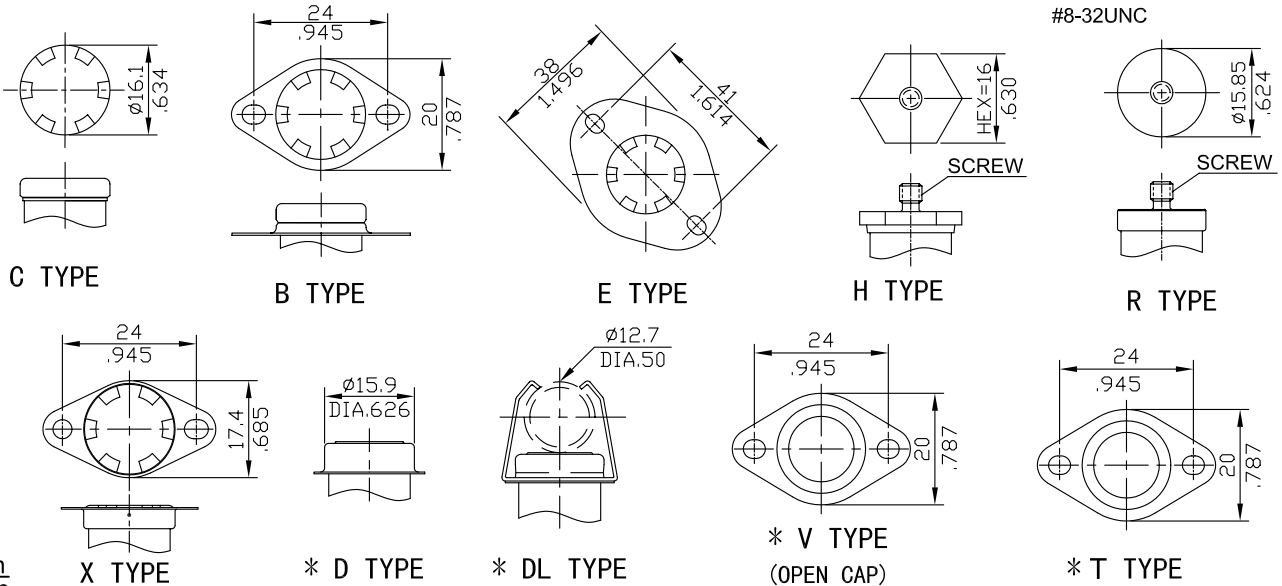
Thermostat T24 Series

(c) BRACKET TYPE :

● FIXED BRACKET

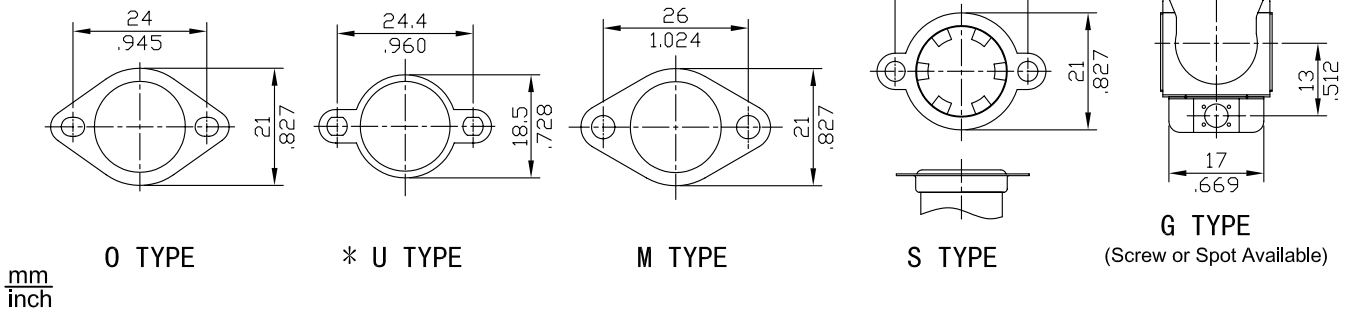
\* STAINLESS STEEL CAP : D,DL,V,T TYPE

SCREW TYPE : M4x0.7 L:6mm (STD)  
M5x0.8 L:6mm (STD)  
#6-32UNC  
#8-32UNC

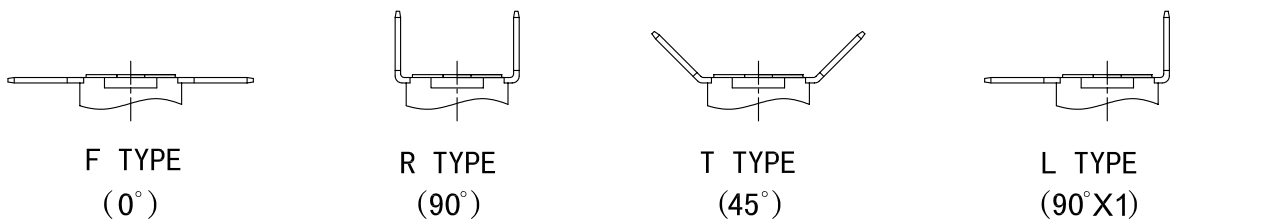


● LOOSE BRACKET

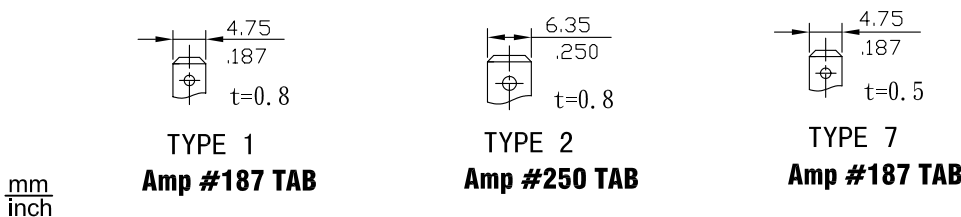
\* STAINLESS STEEL CAP : U TYPE



(d) TERMINAL ORIENTATION:



(e) TERMINAL SIZE:

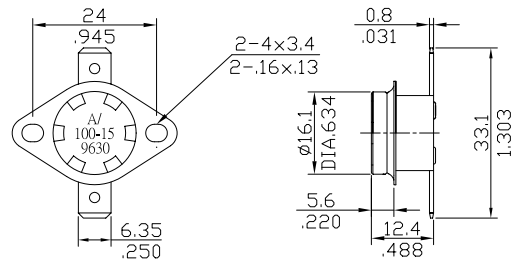




# Thermostat T24 Series

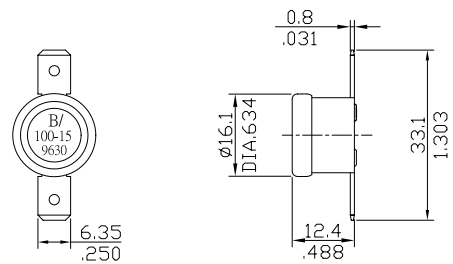


## 4A-BF2



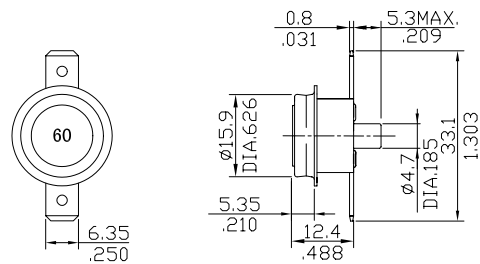
mm  
inch

## 4B-CF2



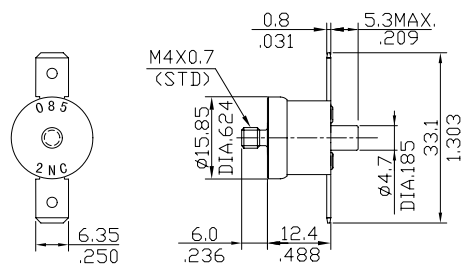
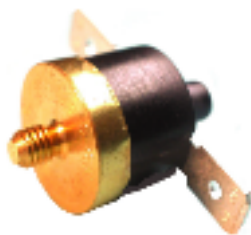
mm  
inch

## 4M-DF2



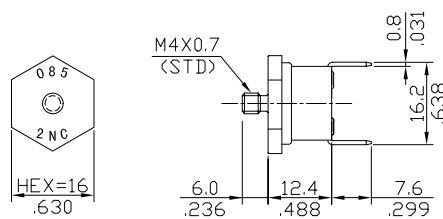
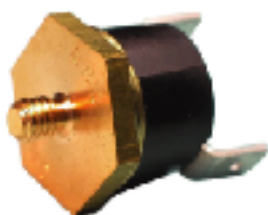
mm  
inch

## 4M-RF2



mm  
inch

## 4A-HR1



mm  
inch

