



# Tilt Switch Ball Rolling Switch AT Series

## Specifications

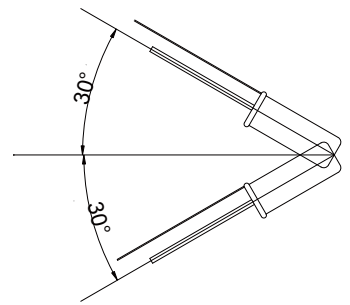
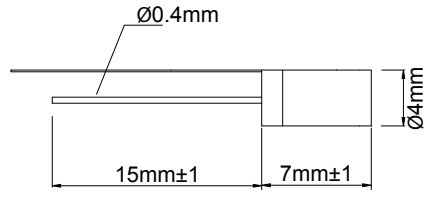
Electrical Rating : 1~50mA/1.5~24VDC  
 Electrical Life: >100,000 Cycles  
 Contact Resistance: 300mΩ  
 Solder Temperature: 250°C 3 Seconds  
 Ambient Temperature: 0°C~100°C

## Material

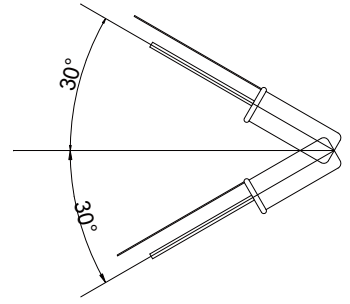
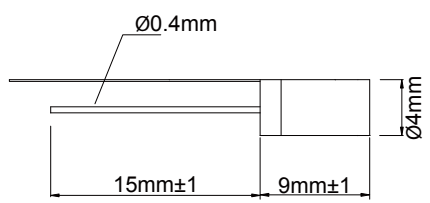
Canister: Copper Gold Plated  
 Electrode: Copper Gold Plated  
 Rolling Ball: Stainless Steel Gold Plated  
 Insulated Piece: Nylon 46(94V-0)



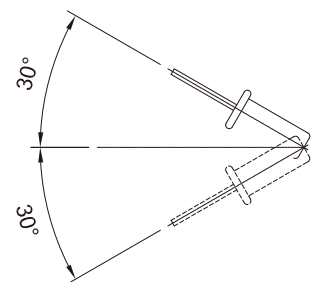
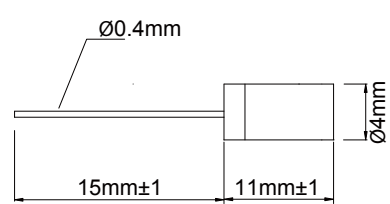
### AT407 (Gold Shell Coating)



### AT409

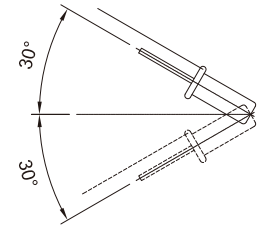
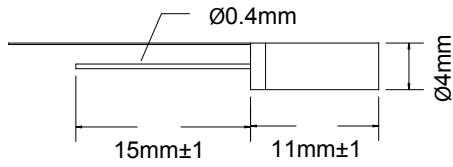


### AT411

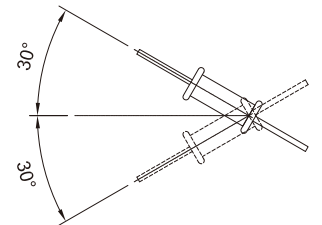
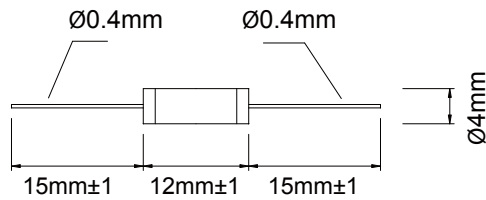




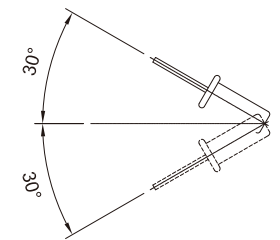
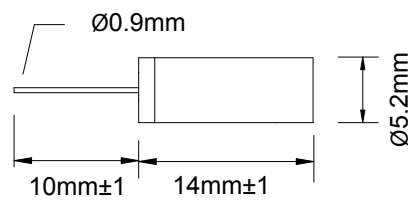
AT411-2



AT411-R2



AT514



AT514-3

