



SPECIFICATIONS

CONTACT RATING: Dependent upon contact material See Page 37.

MECHANICAL LIFE: 30,000 make-and-break cycles.

CONTACT RESISTANCE: 20 mΩ max. initial @ 2-4VDC  
100mA for both silver and gold plated contacts.

INSULATION RESISTANCE: 1,000 MΩ min.

DIELECTRIC STRENGTH: 1,000 Vrms min.@sea level.

OPERATING TEMPERATURE: -30°C to 85°C.

MATERIALS

CASE & BUSHING: Glass filled nylon 6/6,flame retardant,  
heat stabilized (UL94v-0).

ACTUATOR: Brass,chrome plated,internal O-ring seal.  
Standard for all actuators.

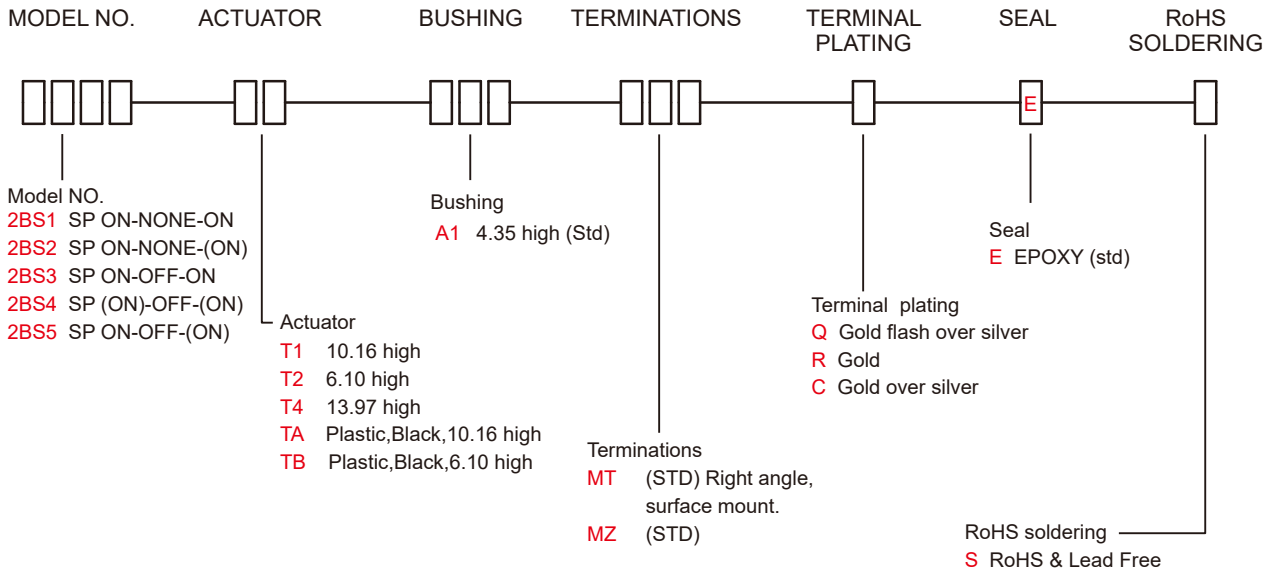
SWITCH SUPPORT: Brass,tin plated.

CONTACT / TERMINALS: Copper alloy,with Silver or gold plated.  
(See Page 37)

IP 67  
ACCORDING TO  
EN 60529:1991+A1:2001  
IEC 60529:2001



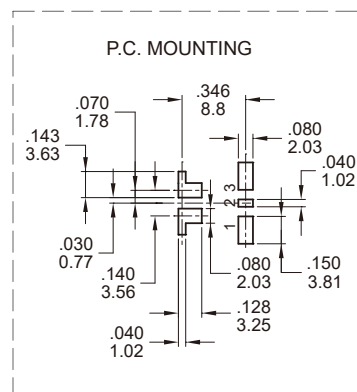
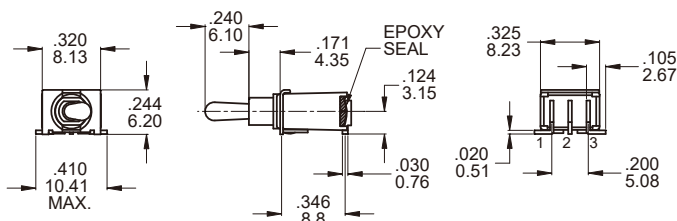
HOW TO ORDER



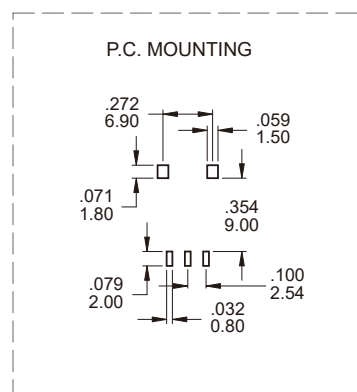
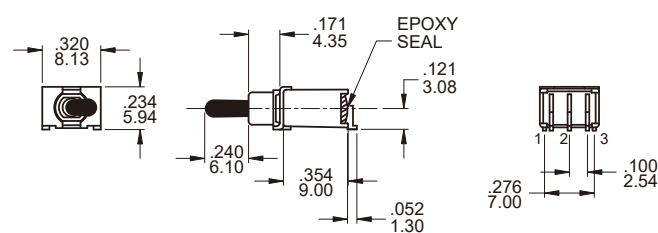
**SWITCH FUNCTION**

NO. POLES	UL/CSA MODEL NO.	MODEL NO.	SWITCH FUNCTION			CONNECTED TERMINALS / SCHEMATIC		
			POS.1	POS.2	POS.3	POS.1	POS.2	POS.3
SP	Q22B11	2BS1	ON	NONE	ON	2-3	N/A	2-1
	Q22B12	2BS2	ON	NONE	(ON)			
	Q22B13	2BS3	ON	OFF	ON			
	Q22B14	2BS4	(ON)	OFF	(ON)			
	Q22B15	2BS5	ON	OFF	(ON)			

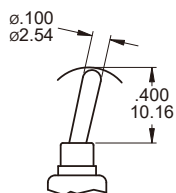
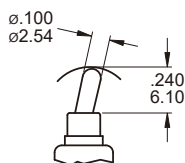
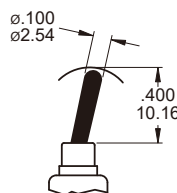
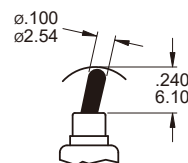
( )=MOMENTARY

**POLE OPTIONS**
**MT**

**SPDT**

Part No. Shown : 2BS1T2A1MTRES

**MZ**

**SPDT**

Part No. Shown : 2BS1TBA1MZRES

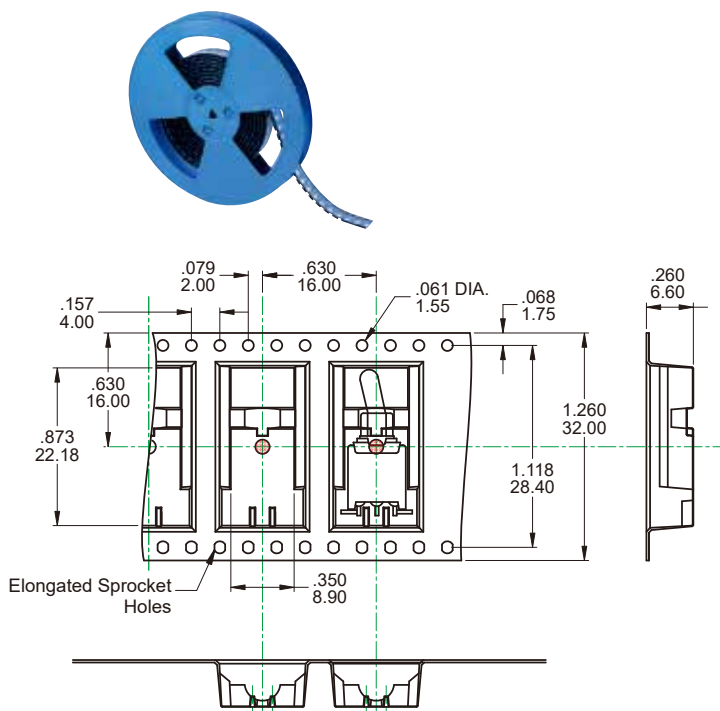
**ACTUATOR OPTIONS**
**T1**

**T2**

**TA**

**TB**


PLASTIC ACTUATOR

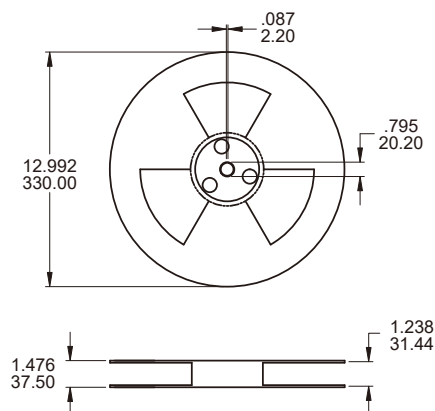
## PACKAGING

Switches available on embossed antistatic tape and reels.

Tape and cover strip are conductive for use near statically sensitive components.



SCALE: 1 : 1



SCALE: 10 : 1

### REEL INFORMATION

QUANTITY PER REEL 500 / pcs

## CONTACT MATERIAL OPTIONS

	CONTACT PLATING	TERMINAL PLATING	RATINGS
<b>Q</b>	Silver	Gold flash over silver	3 Amps with resistant load @ 120VAC or 28VDC
<b>C</b>	Gold over Silver	Gold over silver	1 Amps with resistant load @ 250VAC
<b>R</b>	Gold	Gold	0.4 Volt - Amps ( VA ) max. @ 20V max. ( AC or DC )

## SOLDERING PROCESSES

### REFLOW SOLDERING:

Recommended Soldering Temperature:  $260 \pm 5^{\circ}\text{C}$

Duration of Solder Immersion: Max 5 sec.

(PCB is 1.6mm in thickness)

**SOLDERING: Vapor phase & IR-reflow soldering can be applied.**

### Temperature Profile

Zone	Room Temperature	Time (Sec)
Pre-heat (A)	150°C	Min 120s
Soak (B)	150°C ~ 200°C	Min 150s
Peak (C)	200°C ~ 235°C	Min 30s
Peak (D)	235°C ~ 260°C	Min 40s
Peak (E)	260°C	Max 5s

