



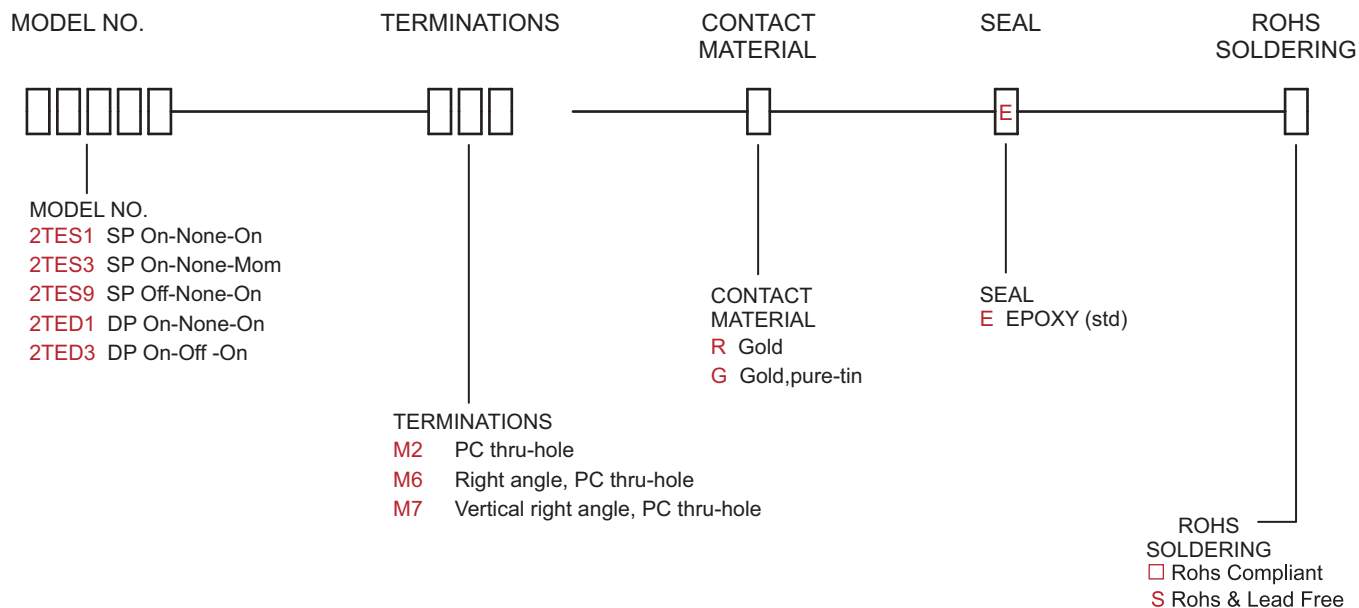
SPECIFICATIONS

CONTACT RATING: Max 0.4 VA max @ 48 VAC or DC Min.
 1 μ A / 20 mV AC or DC
MECHANICAL LIFE: 60,000 make-and-break cycles at full load.
CONTACT RESISTANCE: 50m Ω max. initial @ 2-4VDC 100mA .
INSULATION RESISTANCE: 1,000M Ω min.
DIELECTRIC STRENGTH: 500 V RMS@sea level.
OPERATING TEMPERATURE: -30°C to 85°C.
DEGREE OF PROTECTION: IP67

MATERIALS

ACTUATOR: Brass,chrome plated,internal O-ring seal. Standard for all actuators.
BUSHING & HOUSING: SPCC
CASE: Glass filled nylon 6/6 (UL94v-0)
SWITCH SUPPORT: Brass,tin plated.
CONTACT / TERMINALS: Phosphor bronze gold - plated over nickel plated.
TERMINAL SEAL: Epoxy

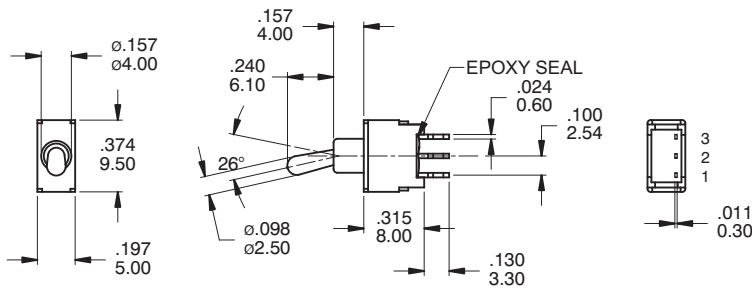
HOW TO ORDER



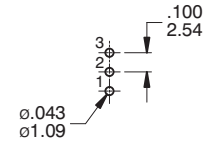
SWITCH FUNCTION

NO. POLES	MODEL NO.	SWITCH FUNCTION			CONNECTED TERMINALS / SCHEMATIC		
		POS.1	POS.2	POS.3	POS.1	POS.2	POS.3
SP	2TES1	ON	NONE	ON	2-3	N/A	2-1
	2TES3	ON	OFF	ON		OPEN	
	2TES9	OFF	NONE	ON	OPEN	N/A	
DP	2TED1	ON	NONE	ON	2-3,5-6	N/A	2-1,5-4
	2TED3	ON	OFF	ON		OPEN	

M2



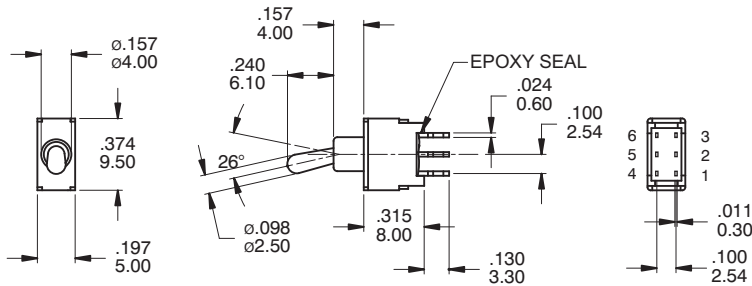
P.C. MOUNTING



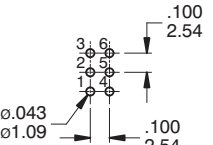
SPDT

Part No. Shown : 2TES1-M2RES

M2



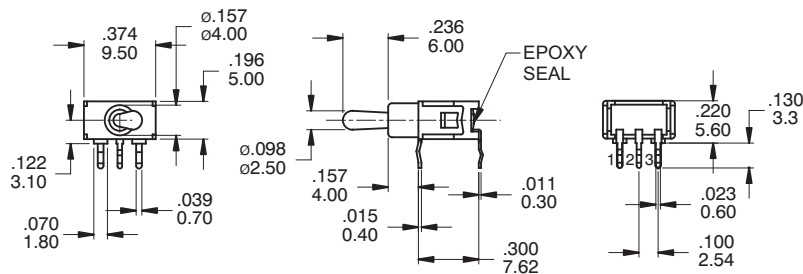
P.C. MOUNTING



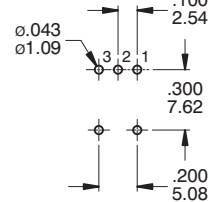
DPDT

Part No. Shown : 2TED1-M2RES

M6



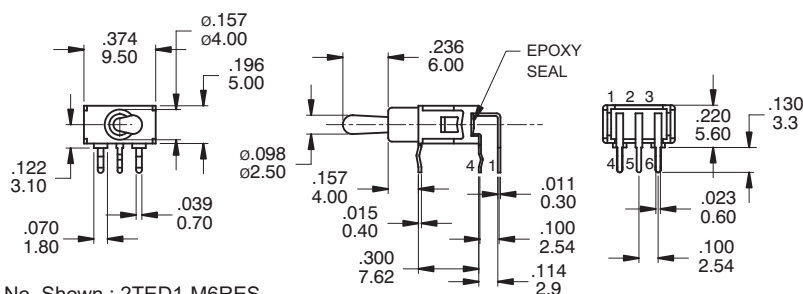
P.C. MOUNTING



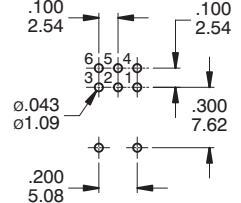
SPDT

Part No. Shown : 2TES1-M6RES

M6



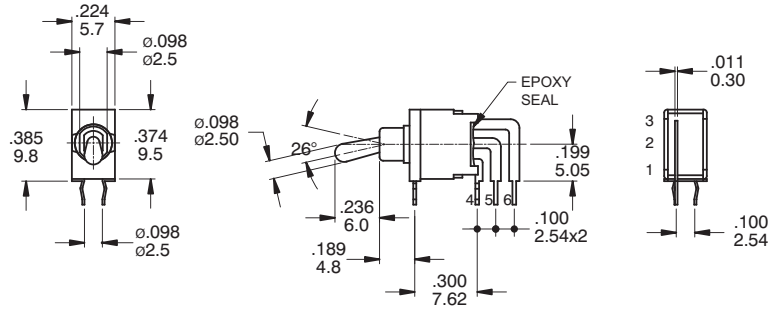
P.C. MOUNTING



DPDT

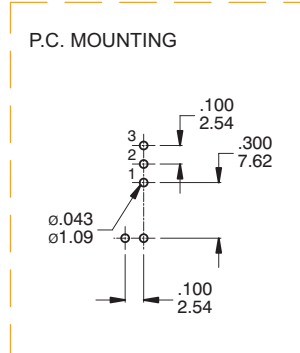
Part No. Shown : 2TED1-M6RES

M7

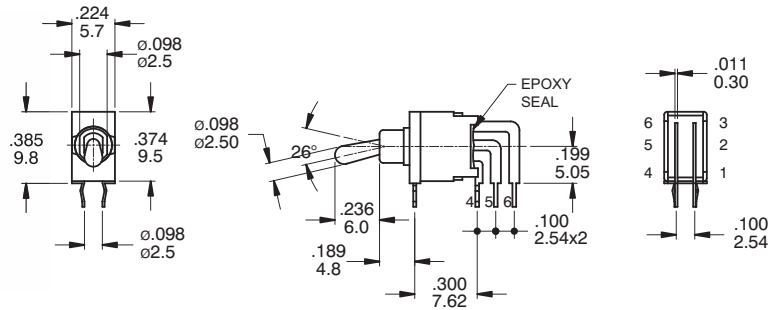


SPDT

Part No. Shown : 2TES1-M7RES

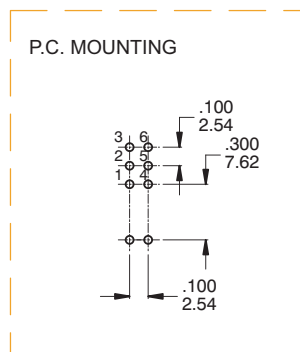


M7



DPDT

Part No. Shown : 2TED1-M7RES



SOLDERING PROCESSES

WAVE SOLDERING : Recommended Soldering Temperature : $260 \pm 5^{\circ}\text{C}$
 Duration of Solder Immersion : 5 ± 1 seconds
 (PCB is 1.6mm in thickness)

SOLDERING : Vapor phase & IR-reflow soldering can be applied.

Temperature Profile

Zone	Room Temperature	Time (Sec)
Pre-heat (A)	150°C	Min 120s
Soak (B)	180°C ~ 200°C	Min 150s
Peak (C)	200°C ~ 235°C	Min 30s
Peak (D)	235°C ~ 260°C	Min 40s
Peak (E)	260°C	Max 10s

